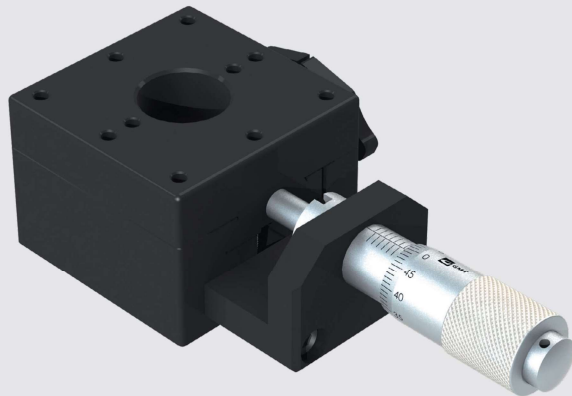


Product  
Specification  
**Positioning  
Stages**

MC1F-40



Specification										
Model No.	Table Size	Axis	Feed Position	Travel Stroke	Micrometer Minimum Reading	Straightness	Allowable Loading (kgf)	Weight (kg)	Material	Surface Finish
MC1F-40	40*40	X-axis	central	±10	10 μm	30 μm	3	0.17	Aluminum alloy	Black anodized

Unit : mm

MC1F-40

