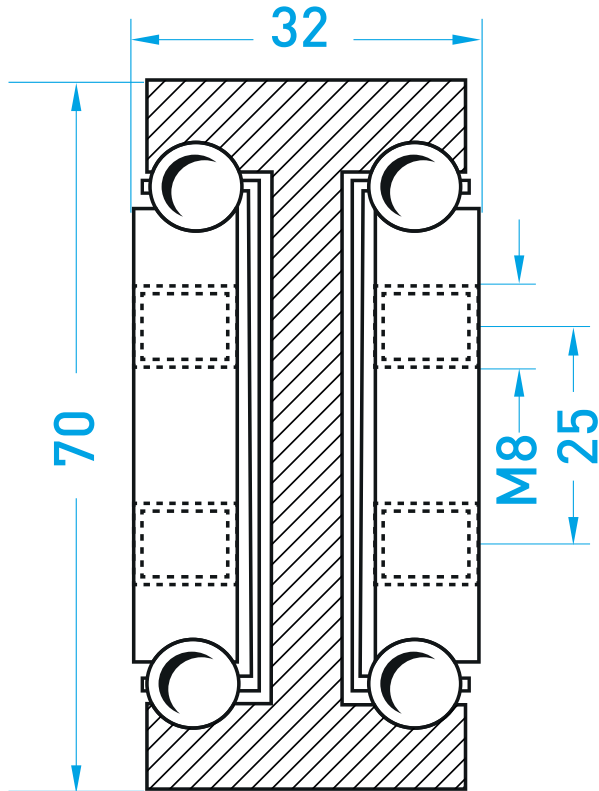


MILUXOR

TELESKOPSCHIENEN

MX-DTP 70

YOUR MANUFACTURER FOR TELESCOPIC RAILS FOR HEAVY LOADS



MX-DTP 70 Drilling pattern table

Article No.	Dimension A	Dimension B	Dimension C	Dimension D
DTP70.040	400	50	---	200
DTP70.045	450	50	---	250
DTP70.050	500	50	---	300
DTP70.055	550	50	---	350
DTP70.060	600	50	---	400
DTP70.065	650	50	200	---
DTP70.070	700	50	225	---
DTP70.075	750	50	250	---
DTP70.080	800	50	275	---
DTP70.085	850	50	300	---
DTP70.090	900	50	325	---
DTP70.095	950	50	350	---
DTP70.100	1000	50	375	---
DTP70.105	1050	50	400	---
DTP70.110	1100	50	425	---
DTP70.115	1150	50	450	---
DTP70.120	1200	50	475	---
DTP70.125	1250	50	500	---
DTP70.130	1300	50	525	---
DTP70.135	1350	50	550	---
DTP70.140	1400	50	575	---
DTP70.145	1450	50	600	---
DTP70.150	1500	50	625	---
DTP70.155	1550	50	650	---
DTP70.160	1600	50	675	---
DTP70.165	1650	50	700	---
DTP70.170	1700	100	650	---
DTP70.175	1750	100	675	---
DTP70.180	1800	100	700	---
DTP70.185	1850	100	725	---
DTP70.190	1900	100	750	---
DTP70.195	1950	100	775	---
DTP70.200	2000	100	800	---

