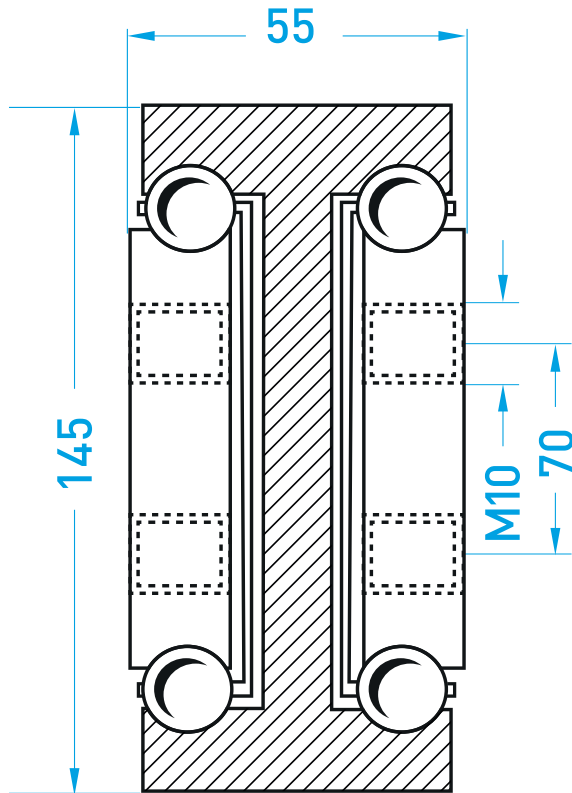


MILUXOR**TELESKOPSCHIENEN**

YOUR MANUFACTURER FOR TELESCOPIC RAILS FOR HEAVY LOADS

MX-DTP 145**MX-DTP 145 load table**

Type: MX-DTP 145

Article-No. MX -DTP 145

Article No.	Installation length	Load in kg *
DTP145.080	800	2200
DTP145.085	850	2300
DTP145.090	900	2400
DTP145.095	950	2500
DTP145.100	1000	2550
DTP145.105	1050	2500
DTP145.110	1100	2450
DTP145.115	1150	2400
DTP145.120	1200	2500
DTP145.125	1250	2600
DTP145.130	1300	2700
DTP145.135	1350	2700
DTP145.140	1400	2600
DTP145.145	1450	2550
DTP145.150	1500	2500
DTP145.155	1550	2450
DTP145.160	1600	2400
DTP145.165	1650	2350
DTP145.170	1700	2300
DTP145.175	1750	2250
DTP145.180	1800	2200
DTP145.185	1850	2150
DTP145.190	1900	2100
DTP145.195	1950	2050
DTP145.200	2000	2000

MX-DTP 145 FULL-EXTRACT

The MX-DTP 145 fully extending rails offers very high load capacity. The attachment is made by 12 threaded holes M10.

Extension length = installation length

Overall length = installation length + extension length

*Load per pair in extended position, even weight distribution and vertical installation.