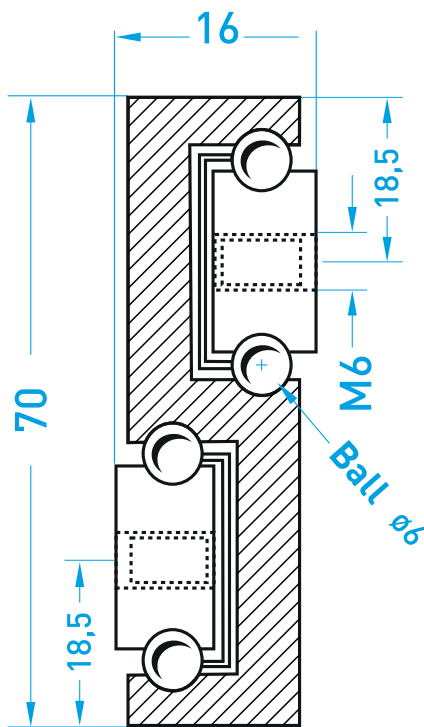


**MILUXOR****TELESKOPSCIENEN**

YOUR MANUFACTURER FOR TELESCOPIC RAILS FOR HEAVY LOADS

**MX-S 70****MX-S 70 load table**

Type: MX -S 70 Article-No.MX -S 70

Article No.	Installation length	Load in kg *
S70.030	300	275
S70.035	350	270
S70.040	400	265
S70.045	450	260
S70.050	500	255
S70.055	550	240
S70.060	600	235
S70.065	650	230
S70.070	700	225
S70.075	750	220
S70.080	800	210
S70.085	850	195
S70.090	900	185
S70.095	950	170
S70.100	1000	160

**MX-S 70 FULL-EXTRACT**

The MX-S 70 fully extending rails offers high load capacity in a small footprint. Depending on the length, it is fastened by 4 or 6 M6 tapped holes located in the middle.

**Extension length = installation length**

**Overall length = installation length + extension length**

\*Load per pair in extended position, even weight distribution and vertical installation.