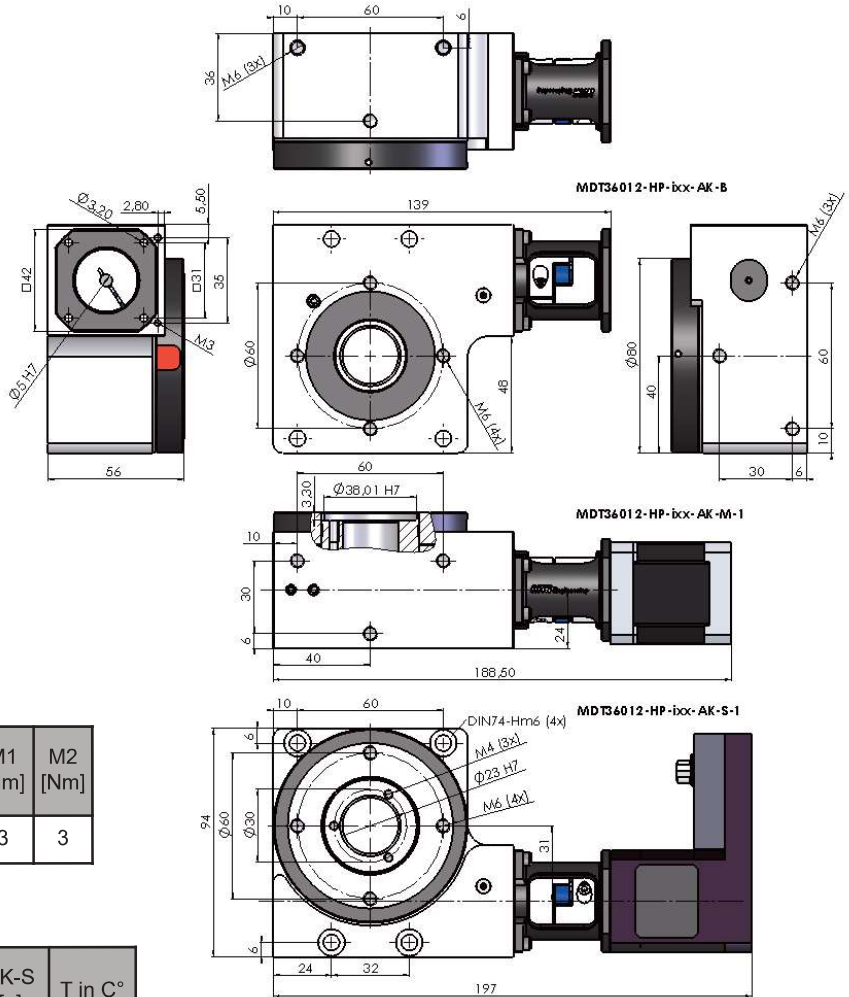
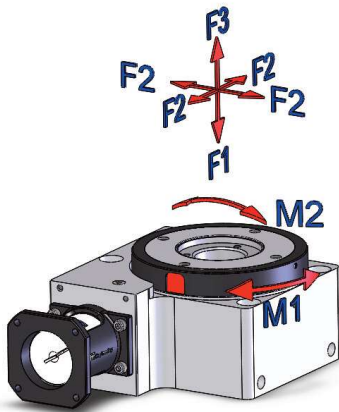


Motordrehtisch

Motor rotary table

HP-Line → MDT36012-HP (NEMA17)

MASSBLATT / DIMENSION SHEET



Belastungstabelle / Load chart

Bestellnummer Order number	F1 [N]	F2 [N]	F3 [N]	M1 [Nm]	M2 [Nm]
MDT36012-HP-ixx	600	600	300	3	3

Massentabelle / Table of weights

Bestellnummer Order number	AK-B [g]	AK-M [g]	AK-S [g]	T in C°
MDT36012-HP-ixx	1450	1820	1895	10 - 60

