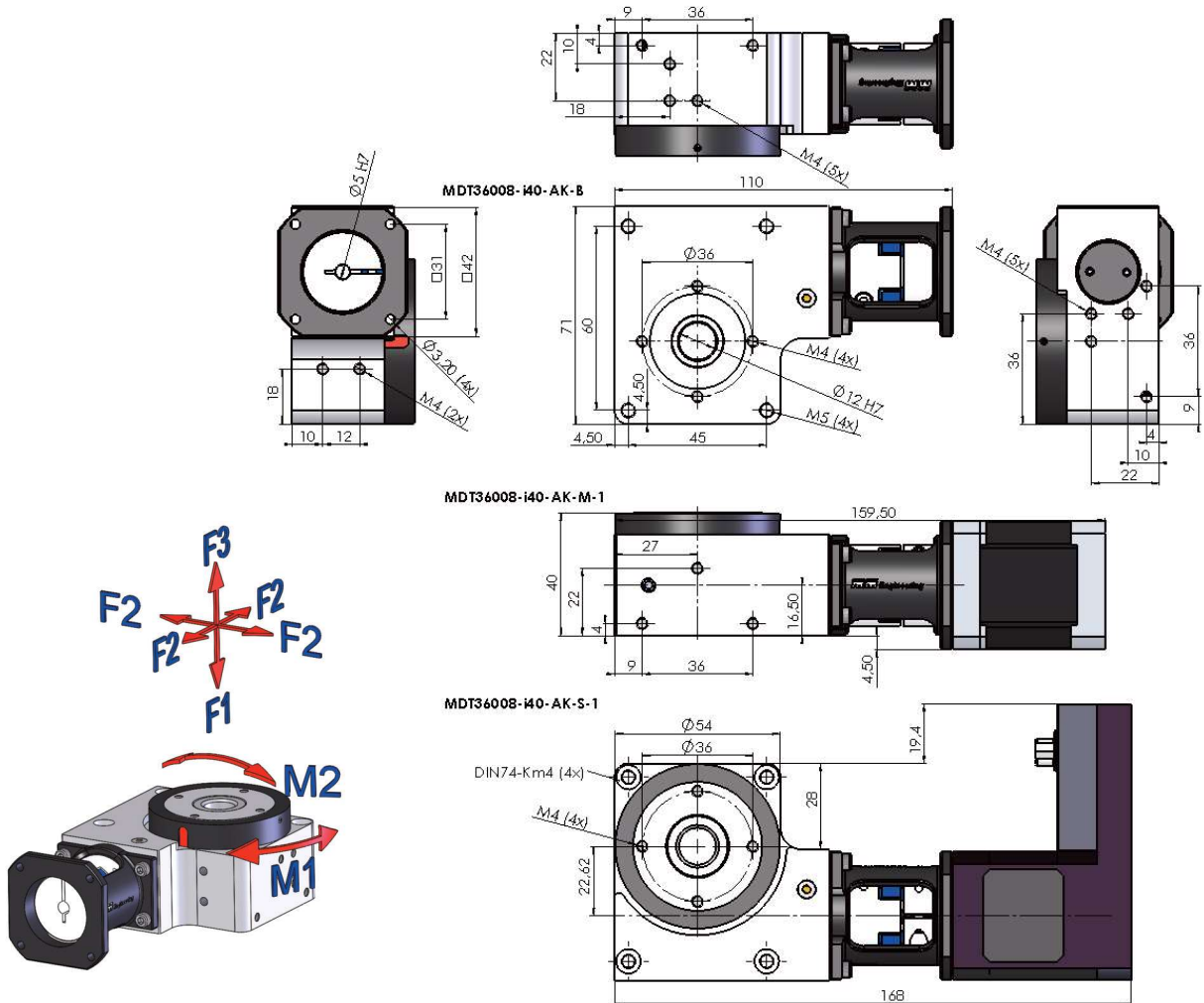


Motordrehtisch

Motor rotary table

BS-Line → MDT36008 (NEMA17)

MASSBLATT / DIMENSION SHEET



Belastungstabelle / Load chart

Bestellnummer Order number	F1 [N]	F2 [N]	F3 [N]	M1 [Nm]	M2 [Nm]
MDT36008-i40	200	200	80	1,2	1,8

Massentabelle / Table of weights

Bestellnummer Order number	AK-B [g]	AK-M [g]	AK-S [g]	T in C°
MDT36008-i40	635	1005	1080	10 - 60

