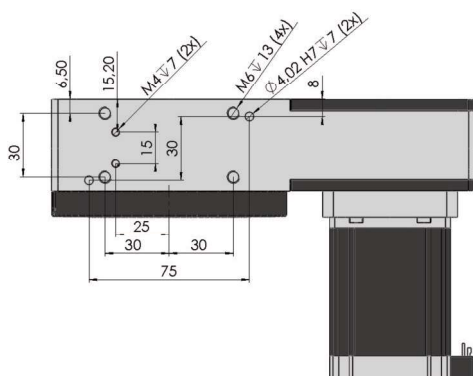
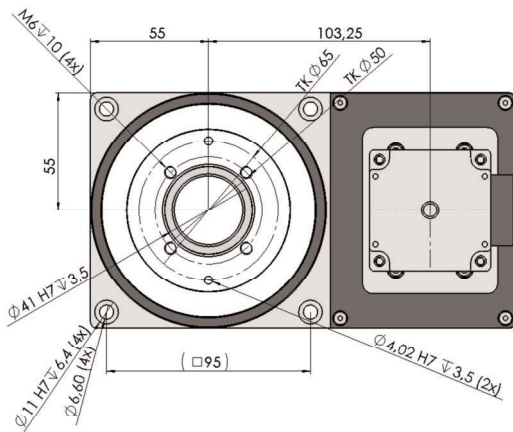
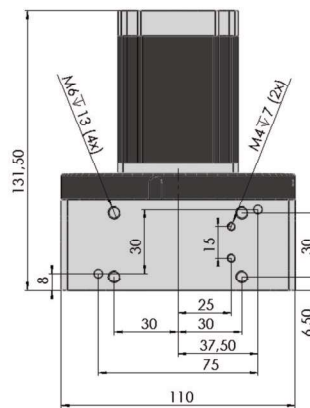
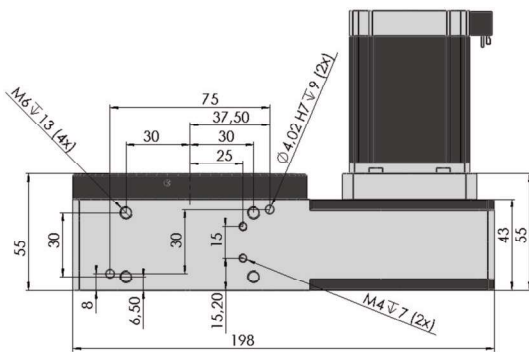
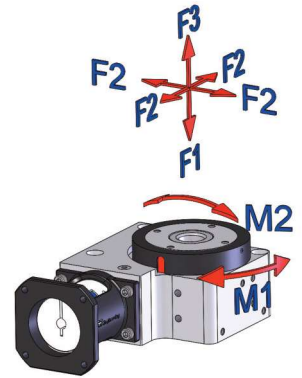
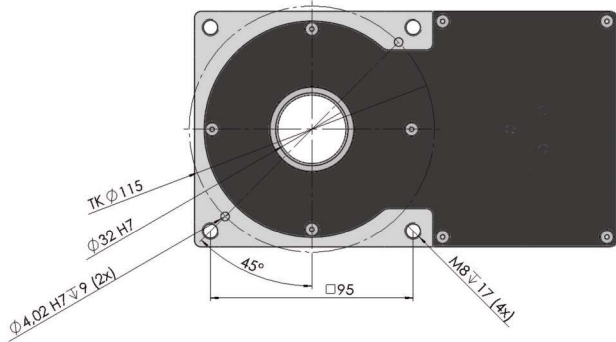


Motordrehtisch

Motor rotary table

QN-Line → MDT360110-QN-MO-M

MASSBLATT / DIMENSION SHEET



Massentabelle / Table of weights

Bestellnummer Order number	AK-B [g]	AK-M [g]	AK-S [g]	T in C°
MDT360110-QN	(0000)	4320	(0000)	10 - 60

Belastungstabelle / Load chart

Bestellnummer Order number	F1 [N]	F2 [N]	F3 [N]	M1 [Nm]	M2 [Nm]
MDT360110-QN	5000	3000	5000	10	100