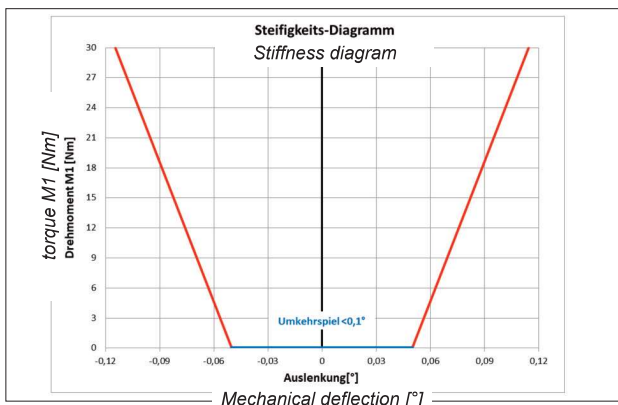
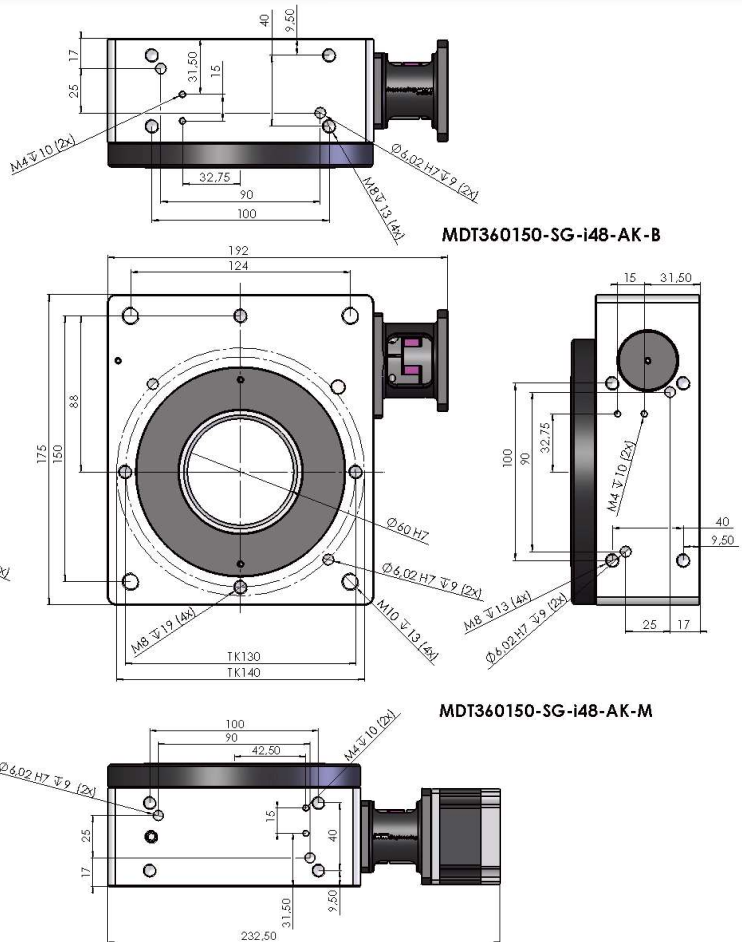
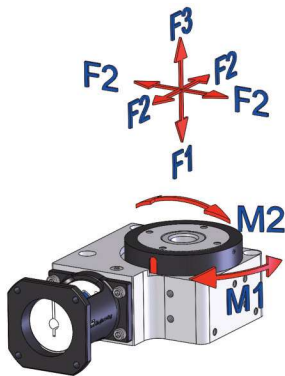


Motordrehtisch

Motor rotary table

SG-Line → MDT360150 (NEMA23)

MASSBLATT / DIMENSION SHEET



Massentabelle / Table of weights

Bestellnummer Order number	AK-B [g]	AK-M [g]	AK-S [g]	T in C°
MDT360150-i48	6340	(0000)	(0000)	10 - 60

Belastungstabelle / Load chart

Bestellnummer Order number	F1 [N]	F2 [N]	F3 [N]	M1 [Nm]	M2 [Nm]
MDT360150-i48	12000	7500	12000	30	200