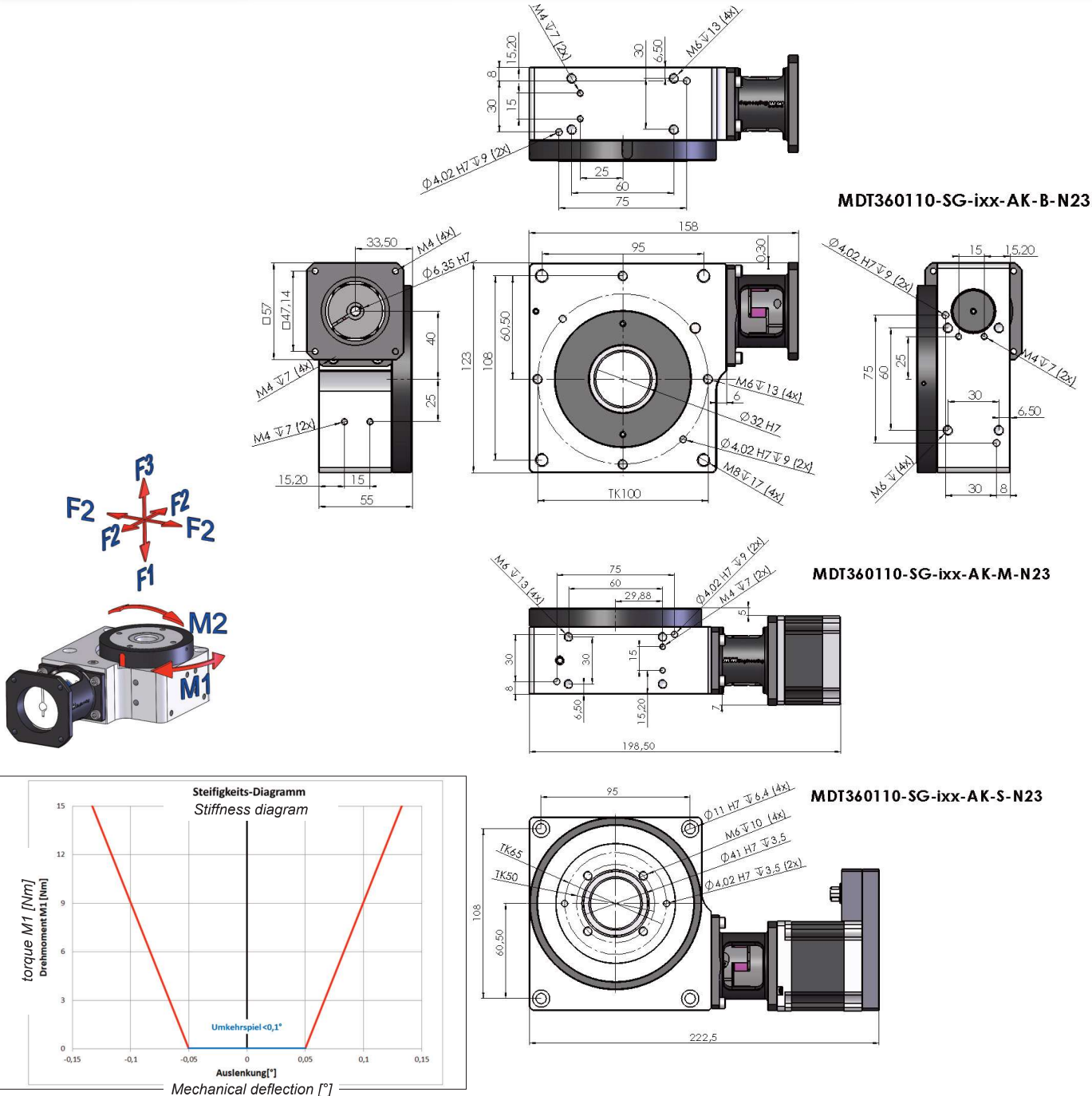


# Motordrehtisch

Motor rotary table

SG-Line → MDT360110-SG (NEMA23)

**MASSBLATT / DIMENSION SHEET**



Massentabelle / Table of weights

Bestellnummer Order number	AK-B [g]	AK-M [g]	AK-S [g]	T in C°
MDT360110-ixx	2670	(0000)	(0000)	10 - 60

Belastungstabelle / Load chart

Bestellnummer Order number	F1 [N]	F2 [N]	F3 [N]	M1 [Nm]	M2 [Nm]
MDT360110-ixx	5000	3000	5000	15	100