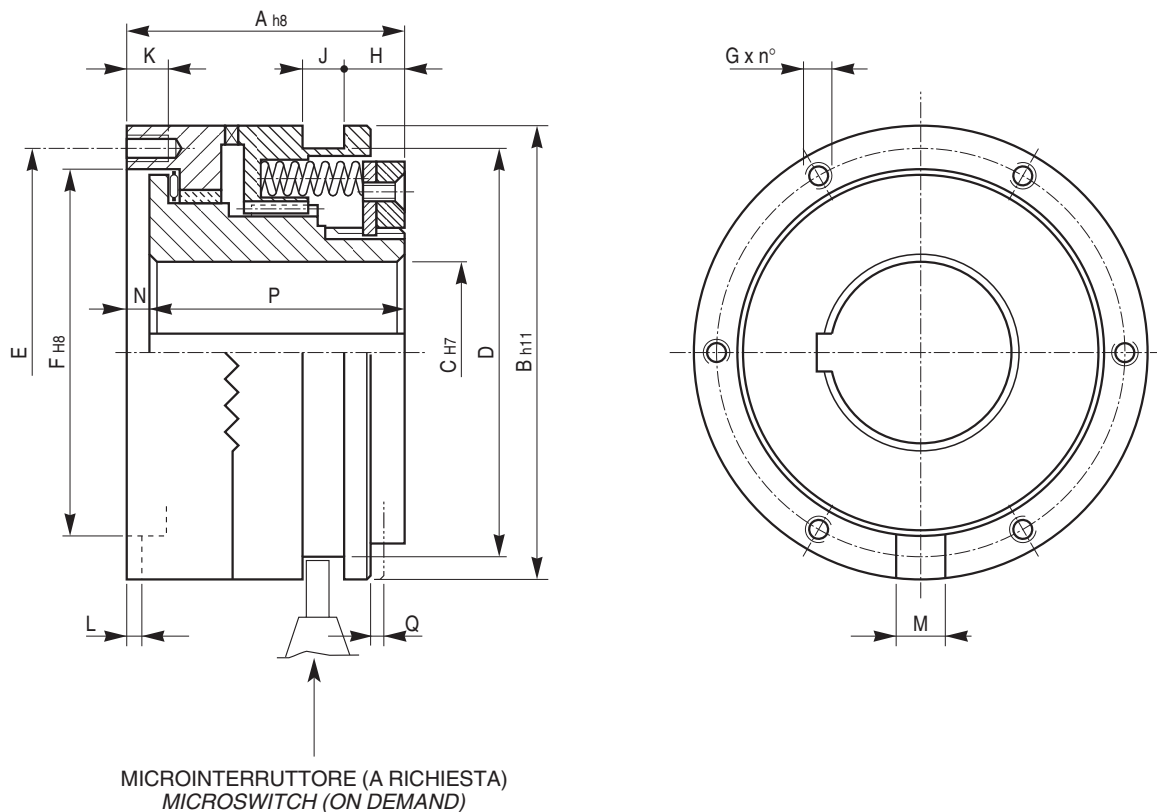


SERIE / MODEL
CODICE / CODE

GDF □□□
02.40.□□□.01



| □□□ | RPM con/with Ms min. | | RPM con/with Ms max. | | Peso / Weight (kg) |
|------------|----------------------|---------|----------------------|---------|--------------------|
| | RPM max | Ms (Nm) | RPM max | Ms (Nm) | |
| 001 | 1400 | 5 | 300 | 40 | 0,5 |
| 002 | 900 | 12 | 200 | 100 | 1,5 |
| 003 | 750 | 25 | 180 | 200 | 2,8 |
| 004 | 640 | 50 | 150 | 400 | 4,5 |
| 005 | 540 | 100 | 120 | 800 | 10 |
| 006 | 400 | 175 | 80 | 1400 | 16 |
| 007 | 300 | 300 | 30 | 2400 | 22 |

| □□□ | A | B | C | | D | E | F | G | H | J | K | L | M | N | P | Q |
|------------|-------|-----|-----|-----|-----|-----|-------|---------|-----|---|----|-----|----|-----|------|-----|
| | | | min | max | | | | n° x Ø | | | | | | | | |
| 001 | 38,5 | 55 | 10 | 20 | 50 | 48 | 41 | 6 x M 5 | 7,5 | 9 | 7 | 3,1 | 6 | 4 | 34,5 | 1,5 |
| 002 | 52 | 82 | 10 | 25 | 73 | 70 | 60 | 6 x M 5 | 12 | 9 | 10 | 3,1 | 6 | 4 | 48 | 2 |
| 003 | 61 | 100 | 14 | 35 | 90 | 89 | 78 | 6 x M 6 | 14 | 9 | 10 | 3,6 | 8 | 5 | 56 | 2,5 |
| 004 | 78 | 120 | 18 | 45 | 112 | 105 | 90,5 | 6 x M 8 | 21 | 9 | 14 | 4,1 | 10 | 5 | 73 | 2,5 |
| 005 | 99,5 | 146 | 24 | 55 | 140 | 125 | 105 | 6 x M10 | 27 | 9 | 15 | 4,1 | 12 | 6,5 | 93 | 3 |
| 006 | 113,5 | 176 | 28 | 65 | 170 | 155 | 120,5 | 6 x M12 | 33 | 9 | 20 | 4,6 | 14 | 6,5 | 107 | 3 |
| 007 | 119 | 200 | 38 | 72 | 190 | 160 | 136 | 6 x M12 | 38 | 9 | 20 | 5,1 | 16 | 7 | 112 | 3,5 |