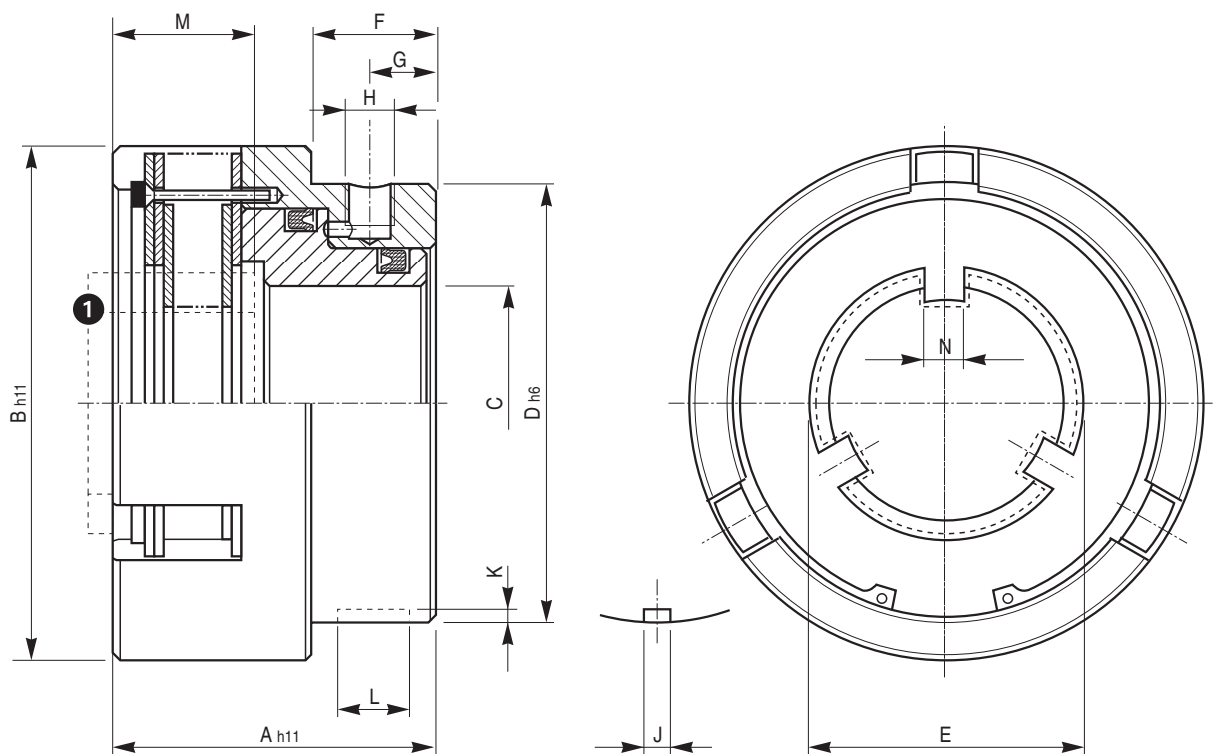


SERIE / MODEL
CODICE / CODE

1 IBL □□
03.04.□□.01

2 PBL □□/BF
03.04.□□.51



| □□ | Momenti Torques | | Pressione lavoro Working pressure | Volume cilindro Cylinder volume | Giri/1' R.P.M. limit | Peso Weight | Dischi interni Internal plates | Mozzo Hub a richiesta/on demand |
|----|--------------------|---------|--------------------------------------|------------------------------------|-------------------------|----------------|-----------------------------------|---------------------------------------|
| | Mi (Nm) | Ms (Nm) | (bar) | (cm ³) | max | (kg) | N. | ① |
| 03 | 50 | 90 | 8 | 7 | 3500 | 2,3 | 5 | MF 03 |
| 04 | 90 | 160 | 8 | 9 | 3200 | 3,3 | 5 | MF 04 |
| 05 | 90 | 160 | 8 | 9 | 3200 | 3,3 | 5 | MF 05 |
| 06 | 160 | 300 | 8 | 15 | 2800 | 6 | 6 | MF 06 |

| □□ | A | B | C | D | E | F | G | H | J | K | L | M | N | Alette Lugs N. |
|----|----|-----|----|-----|----|----|----|------|----|-----|----|----|----|----------------------|
| 03 | 64 | 106 | 48 | 88 | 55 | 25 | 13 | 1/8" | 6 | 3,5 | 20 | 28 | 9 | 3 |
| 04 | 69 | 118 | 56 | 110 | 66 | 28 | 16 | 1/8" | 8 | 4 | 25 | 31 | 12 | 3 |
| 05 | 69 | 118 | 56 | 110 | 61 | 28 | 16 | 1/8" | 8 | 4 | 25 | 31 | 12 | 4 |
| 06 | 86 | 146 | 70 | 136 | 86 | 38 | 25 | 1/8" | 10 | 5 | 35 | 34 | 14 | 3 |