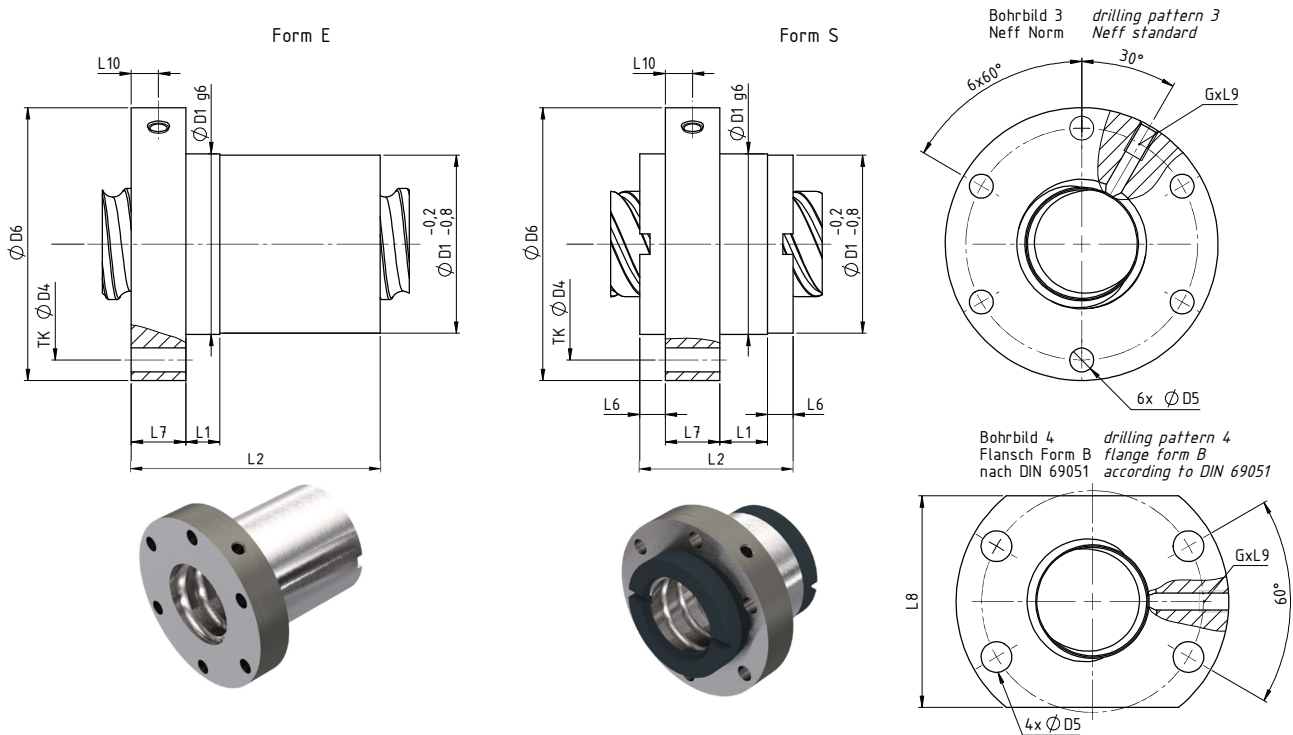


# Kugelgewindetriebe KGT

## Ball Screw Drives

### Kugelgewindeflanschmuttern KGF-N

#### Flanged Ball Nuts



### Abmessungen nach NEFF Norm *Dimensions according to NEFF standard*

Standardaxialspiel max. 0,05mm *standard axial backlash max. 0.05mm*

| Typ <i>type</i><br>Durchmesser<br><i>diameter</i> [mm]<br>Steigung <i>pitch</i> [mm]<br>rechtssteigend<br><i>right-hand thread</i> | Form<br><i>form</i> | Bohrbild<br><i>drilling pattern</i> | Abmessungen<br><i>dimensions</i><br>[mm] |                |                |                |                |                |                |                |                |                |                 | Schmier-<br>bohrung<br><i>lubrica-<br/>tion<br/>bore</i> | Anzahl<br>der tra-<br>genden<br>Umläufe<br><i>No. of<br/>load-<br/>bearing<br/>rotations</i> | Drehzahl-<br>kennwert<br><i>speed<br/>parameter</i><br>DN | Tragzahl<br><i>load rating</i><br>[kN] |                                |                                |
|--|---------------------|-------------------------------------|--|----------------|----------------|----------------|----------------|----------------|----------------|----------------|----------------|----------------|-----------------|--|--|---|--|--------------------------------|--------------------------------|
|  |                     |                                     | D <sub>1</sub>                           | D <sub>4</sub> | D <sub>5</sub> | D <sub>6</sub> | L <sub>1</sub> | L <sub>2</sub> | L <sub>6</sub> | L <sub>7</sub> | L <sub>8</sub> | L <sub>9</sub> | L <sub>10</sub> |  |  |   | G                                      | C <sub>dyn</sub> <sup>1)</sup> | C <sub>dyn</sub> <sup>2)</sup> |
| KGF-N-1204-RH-EE   | S                   | 4                                   | 22                                       | 32             | 4,5            | 42             | 11             | 29             | 5              | 8              | 26             | 8              | 4               | M6   | 3  | 37.200  | 4,5                                    | 3,5                            | 4,0                            |
| KGF-N-1205-RH-EE   | S                   | 4                                   | 22                                       | 32             | 4,5            | 42             | 13             | 33             | 5              | 10             | 26             | 8              | 5               | M6   | 3  | 39.600  | 4,0                                    | 3,8                            | 5,8                            |
| KGF-N-1210-RH-EE   | S                   | 4                                   | 22                                       | 32             | 4,5            | 42             | 13             | 33             | 5              | 10             | 26             | 8              | 5               | M6   | 2  | 36.500  | 3,0                                    | 2,5                            | 3,6                            |
| KGF-N-1605-RH-EE   | E                   | 3                                   | 28                                       | 38             | 5,5            | 48             | 8              | 44             | -              | 12             | -              | 8              | 6               | M6   | 3  | 48.000  | 12,0                                   | 9,3                            | 13,1                           |
| KGF-N-1616-RH-EE   | E                   | 3                                   | 28                                       | 38             | 5,5            | 48             | 8              | 45             | -              | 12             | -              | 8              | 6               | M6   | 3,75   | 48.000  | 13,0                                   | 10                             | 16,4                           |
| KGF-N-2005-RH-EE   | E                   | 3                                   | 32                                       | 45             | 7              | 55             | 8              | 44             | -              | 12             | -              | 8              | 6               | M6   | 3  | 60.000  | 14,0                                   | 10,5                           | 16,6                           |
| KGF-N-2020-RH-EE   | S                   | 3                                   | 35                                       | 50             | 7              | 62             | 4              | 30             | 8              | 10             | -              | 8              | 5               | M6   | 4  | 90.000  | 12,0                                   | 11,6                           | 18,4                           |
| KGF-N-2050-RH-EE   | S                   | 3                                   | 35                                       | 50             | 7              | 62             | 10             | 56             | 8              | 10             | -              | 8              | 5               | M6   | 5  | 90.000  | 18,0                                   | 13,0                           | 24,6                           |
| KGF-N-2505-RH-EE   | E                   | 3                                   | 38                                       | 50             | 7              | 62             | 8              | 46             | -              | 14             | -              | 8              | 7               | M6   | 3  | 75.000  | 15,0                                   | 12,3                           | 22,5                           |
| KGF-N-3205-RH-EE   | E                   | 3                                   | 45                                       | 58             | 7              | 70             | 10             | 59             | -              | 16             | -              | 8              | 8               | M6   | 5  | 86.400  | 24,0                                   | 21,5                           | 49,3                           |
| KGF-N-3210-RH-EE   | E                   | 3                                   | 53                                       | 68             | 7              | 80             | 10             | 73             | -              | 16             | -              | 8              | 8               | M8x1   | 3  | 81.600  | 44,0                                   | 33,4                           | 54,5                           |
| KGF-N-3220-RH-EE   | S                   | 3                                   | 53                                       | 68             | 7              | 80             | 15             | 60             | 10             | 12             | -              | 10             | 6               | M6   | 3,2  | 96.000  | 34,0                                   | 23,7                           | 47,8                           |
| KGF-N-3240-RH-EE   | S                   | 3                                   | 53                                       | 68             | 7              | 80             | 14             | 45             | 7,5            | 16             | -              | 10             | 8               | M6   | 4  | 144.000   | 17,0                                   | 14,9                           | 32,4                           |
| KGF-N-3260-RH-EE   | S                   | 3                                   | 53                                       | 68             | 7              | 80             | 16             | 68             | 10             | 16             | -              | 8              | 8               | M6   | 4,8  | 96.000  | 23,0                                   | 20                             | 49,3                           |
| KGF-N-4005-RH-EE   | E                   | 3                                   | 53                                       | 68             | 7              | 80             | 10             | 59             | -              | 16             | -              | 8              | 8               | M6   | 5  | 108.000   | 26,0                                   | 23,8                           | 63,1                           |
| KGF-N-4010-RH-EE   | E                   | 3                                   | 63                                       | 78             | 9              | 95             | 10             | 73             | -              | 16             | -              | 8              | 8               | M8x1   | 3  | 112.000   | 50,0                                   | 38,0                           | 69,1                           |
| KGF-N-5010-RH-EE   | E                   | 3                                   | 72                                       | 90             | 11             | 110            | 10             | 97             | -              | 18             | -              | 8              | 9               | M8x1   | 5  | 140.000   | 78,0                                   | 68,7                           | 155,8                          |
| KGF-N-6310-RH-EE   | E                   | 3                                   | 85                                       | 105            | 11             | 125            | 10             | 99             | -              | 20             | -              | 8              | 10              | M8x1   | 5  | 141.750   | 86,0                                   | 76,0                           | 197,0                          |
| KGF-N-8010-RH-EE   | E                   | 3                                   | 105                                      | 125            | 13,5           | 145            | 10             | 101            | -              | 22             | -              | 8              | 11,5            | M8x1   | 5  | 160.000   | 107,0                                  | 82,7                           | 221,9                          |

<sup>1)</sup> Dynamische Tragzahl nach DIN 69051 Teil 4 Entwurf 1978 *dynamic load rating according to DIN 69051 part 4 draft 1978*

<sup>2)</sup> Dynamische Tragzahl nach DIN 69051 Teil 4 Entwurf 1989 *dynamic load rating according to DIN 69051 part 4 draft 1989*

<sup>3)</sup> Statische Tragzahl *static load rating*