



PRODUCT INFO

Adjustable hand levers HSK.P are made of glass fiber reinforced polyamide. The screw inserts installed here are made of turned stainless steel and have a rolled thread.

Adjustable hand levers HSK.P are specially designed as accessories for use at the screw points of plastic tube clamps. They replace the hex socket cap screws DIN 912 and are used where repeated tool-free clamping is required.

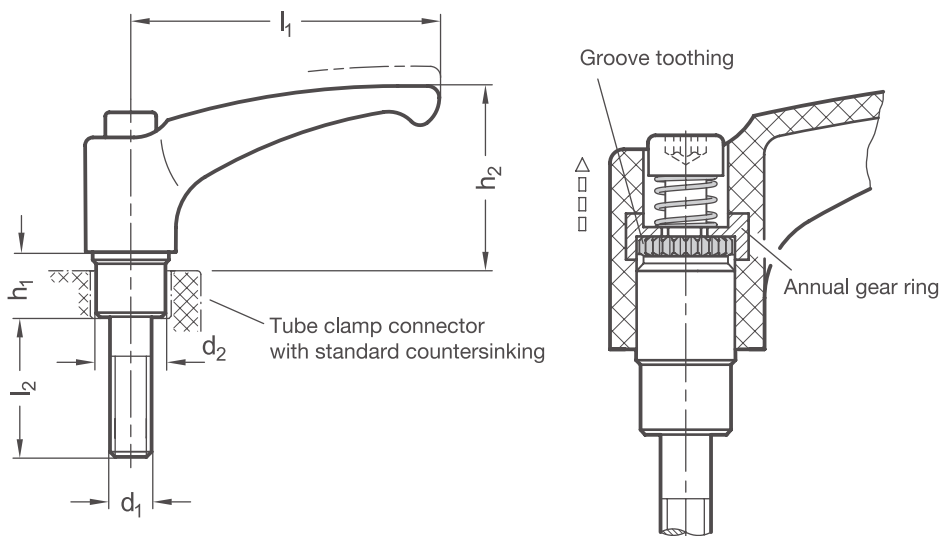
The threaded insert is connected to the handle by groove toothing such that it can be disengaged. Lifting the lever releases the engagement, and the hand lever can be swiveled to a favorable position.

The clamping force achievable with an adjustable hand lever is lower than with tool-operated hex socket cap screws due to the shorter lever length.

The tables for the respective clamps contain the appropriate hand lever sizes for each thread dimension.

The plastic used in surface VB is made from blue, visually detectable and FDA-compliant plastic granulate as per FDA CFR.21 and EU 10/2011.

RoHS-compliant product



l_1	d_1	l_2	d_2	h_1	$h_2 \approx$
44	M 6	20	10	8,5	32
63	M 6	20	10	9	40
63	M 8	25	13	13,5	44
78	M 8	25	13	14,5	52

* This size is only available in version 2.

Surface

\circ	
2	Polyamide (PA), glass fiber reinforced, Black-gray RAL 7021 matt, temperature resistant up to 130 °C / threaded insert stainless steel AISI 303 (A1)
VB	Polyamide (PA), glass fiber reinforced, Blue RAL 5005 matt, temperature resistant up to 100 °C , FDA compliant plastic granulate, visually detectable

ORDER KEY

HSK.P - l_1 - d_1 - l_2 - \circ

