



PRODUCT INFO

Cross clamps KS.P of glass fiber reinforced polyamide have slitted clamping points.

The bores of the clamping points are offset in the plane and arranged at an angle of 90°. They receive typically available construction tubes with full surface contact over the entire cross-section of the bore.

Adapter bushings RBS.P can be used to reduce the bore cross-sections to a smaller diameter.

At the screw points, hex socket cap screws or adjustable hand levers reduce the bore cross-section for clamping.

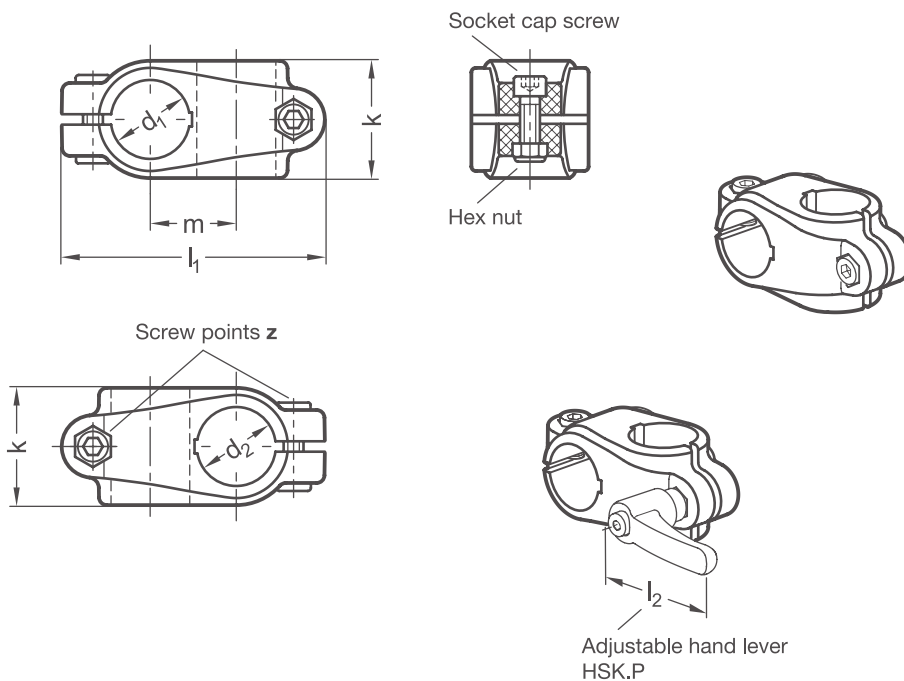
Adjustable hand levers are intended for repeated, tool-free clamping. Under the designation HSK.P, these are available separately for individual use and in other designs. Compared with the tool-operated hex socket cap screw, the clamping force achievable with an adjustable hand lever is lower due to the shorter lever length.

The plastic used in surface VB is made from blue, visually detectable and FDA-compliant plastic granulate as per FDA CFR.21 and EU 10/2011.

RoHS-compliant product



Original design TCC-CR



Clamping point 1	Clamping point 2	Clamping length k	l₁	m	Hex socket cap screws	Accessories recom. hand lever	
Bore d₁	Bore d₂					HSK.P for z	lever length l₂
B 18	B 18	29	65	19,8	M 6-18	44	63
B 30	B 30	45	100,5	34,6	M 8-25	63	78

Screw points

z	
2	Hex socket cap screw stainless steel DIN 912-A2-70 and lock nut stainless steel DIN 985-A2, glide coating

Surface

o	
2	Polyamide (PA), glass fiber reinforced, Black RAL 9005 matt, temperature resistant up to 100 °C
4	Polyamide (PA), glass fiber reinforced, Gray RAL 7040 matt, temperature resistant up to 100 °C
VB	Polyamide (PA), glass fiber reinforced, Blue RAL 5005 matt, temperature resistant up to 100 °C , FDA compliant plastic granulate, visually detectable

ORDER KEY

KS.P - d₁ - d₂ - k - z - o



ACCESSORIES

- Adapter bushings **RBS.P** see page 26
- Adjustable hand levers **HSK.P** see page 28