

PRODUCT INFO

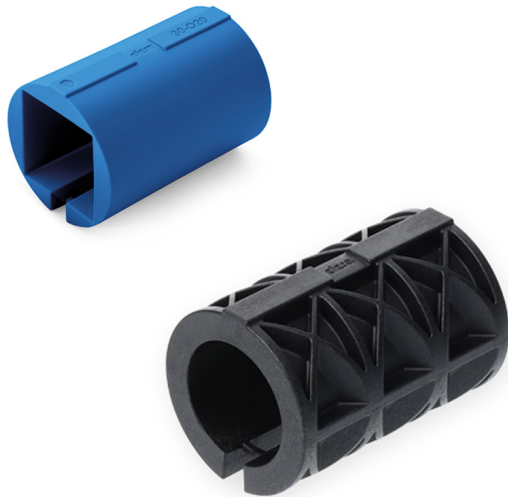
Adapter bushings RBS.P are made of glass fiber reinforced polyamide.

The adapter bushings can be used to reduce the bore diameters of plastic tube clamps for clamping smaller diameters or square cross-sections.

Due to the affixed swivel limiting stop, the adapter bushing cannot rotate or slide inside the tube clamp.

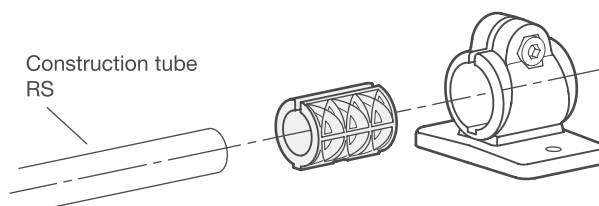
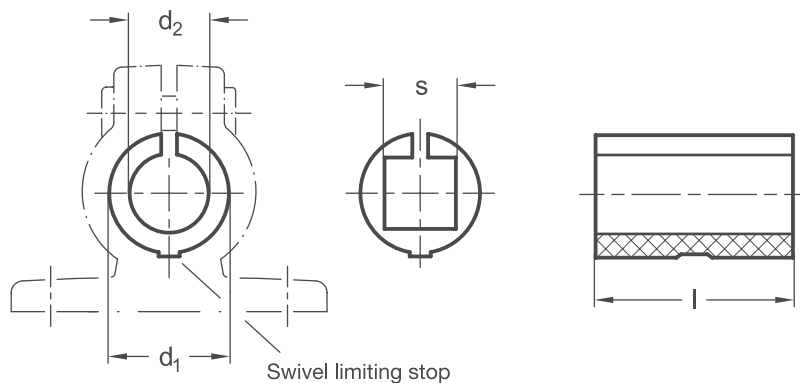
The plastic used in surface VB is made from blue, visually detectable and FDA-compliant plastic granulate as per FDA CFR.21 and EU 10/2011.

RoHS-compliant product



elesa

Original design TCC-A / TCC-A-Q



Bore of the clamp d₁	Bore d₂				Square s		Length l
18	B 12	B 14	B 15	B 16	V 10	V 12	29
30	B 20	B 25	-	-	V 20	-	45

Surface o	
2	Polyamide (PA), glass fiber reinforced, Black RAL 9005 matt, temperature resistant up to 100 °C
4	Polyamide (PA), glass fiber reinforced, Gray RAL 7040 matt, temperature resistant up to 100 °C
VB	Polyamide (PA), glass fiber reinforced, Blue RAL 5005 matt, temperature resistant up to 100 °C , FDA compliant plastic granulate, visually detectable

ORDER KEY

RBS.P - d₁ - d₂ - l - o

