

6.1.5. Gantry connections

Gantry connections (Figure 6.8) are connecting elements for the mounting of x–y -axis systems of linear axes from the AXE series where the Y – axis will be assembled in a position tilted by 90°.

Gantry connections contain all essential connecting elements including screws.

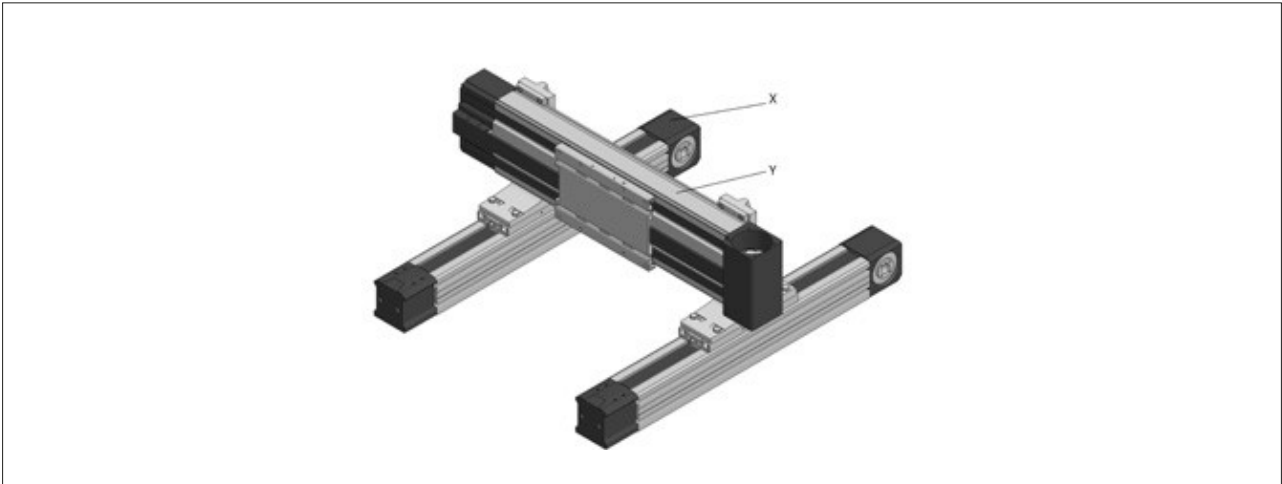


Figure 6.8 Gantry connections AXE

The type codes and dimensions including ID numbers of the gantry connections are specified in Figure 6.9 and Table 6.5.

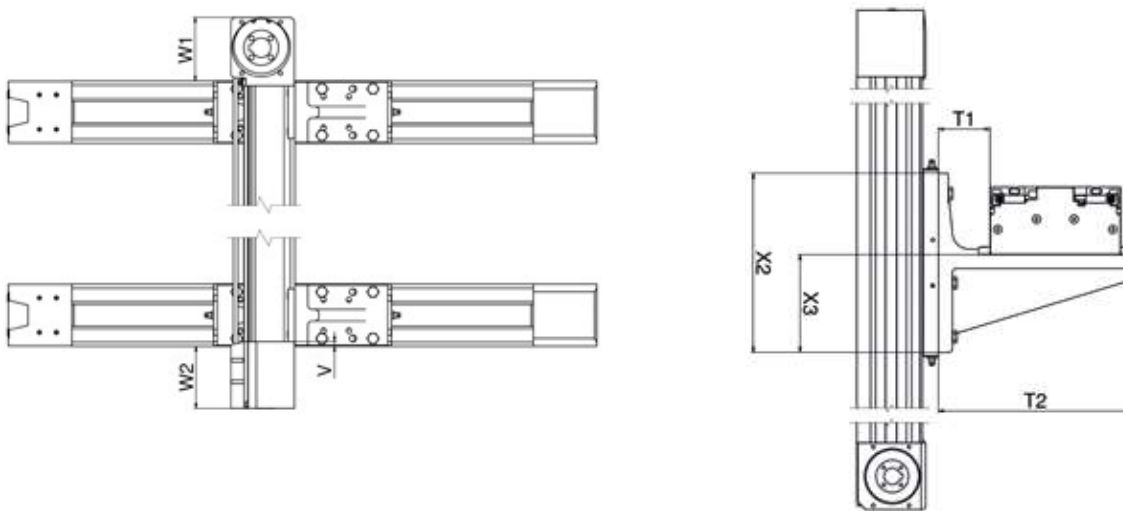


Figure 6.9 Gantry connections AXE

Table 6.5 Gantry connections AXE

X - Axis	Y - Axis	Type code	ID number	T1	T2	V	W1	W2	X2	X3	Y3
					[mm]						
AXE60Z	AXE110Z	AX-AC-GCU-60-110	230361	49	174	5.5	62.5	64.5	160	90	58
	AXE160Z	AX-AC-GCU-60-160	265454	63	237	5.0	92.0	90.0	220	120	78
AXE80Z	AXE160Z	AX-AC-GCU-80-160	169154	63	237	5.0	82.0	80.0	220	120	78
AXE100Z	AXE160Z	AX-AC-GCU-80-160	169154	63	237	5.0	72.0	70.0	220	120	78