

6.1.4. Cross connections

Cross connections (Figure 6.6) are connecting elements for the mounting of two – axis systems in which the tabletops of the respective axis are mounted on top of each other. The cross connections include all connecting elements required including screws.

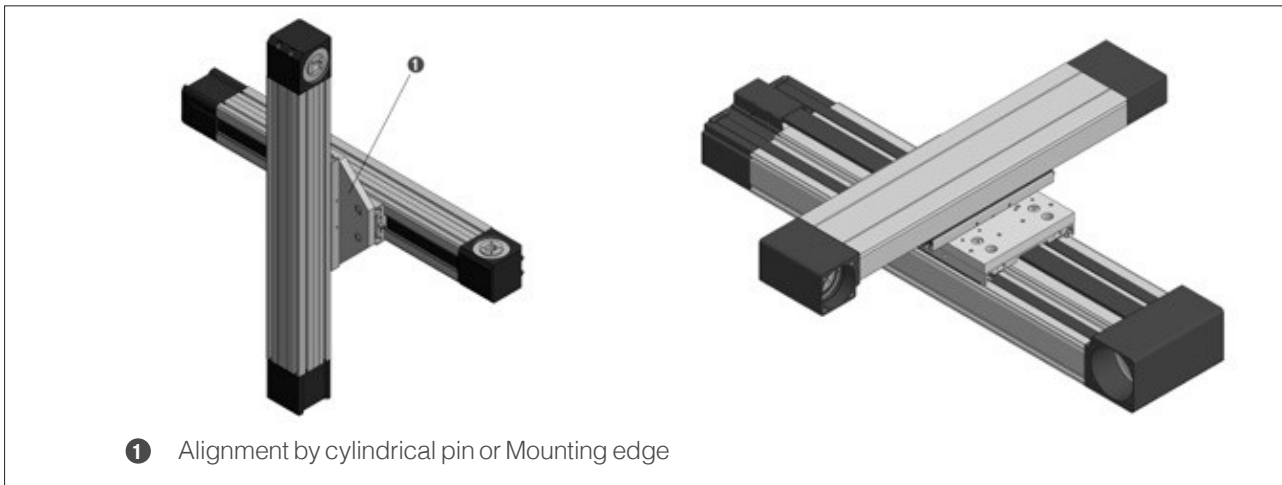


Figure 6.6 Cross connections AXE

The type codes and dimensions including ID numbers of the cross connections are specified in Figure 6.7 and Table 6.4.

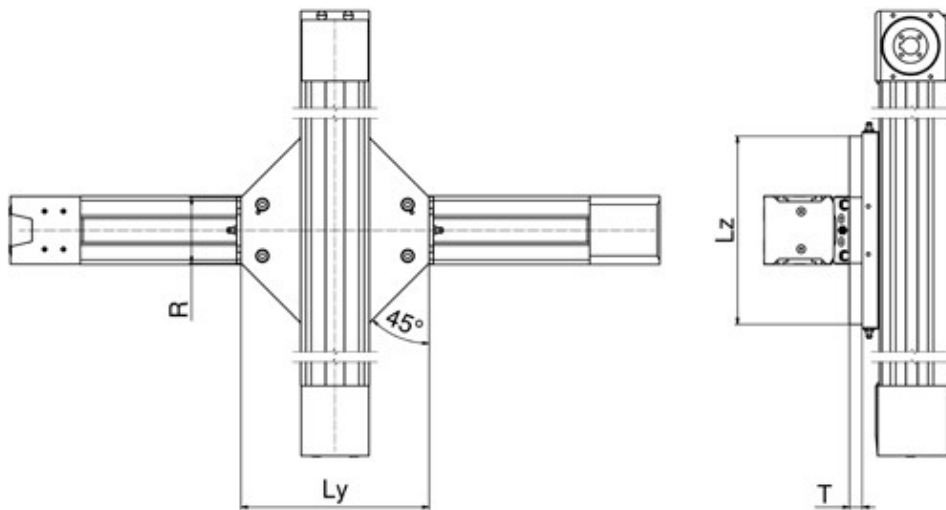


Figure 6.7 Cross connections AXE

- 1 Centerline of the Axis = middle slider plate
- 2 Note the installation side of the switches for the y – axis in type AXE60

Table 6.4 Cross connections AXE

X - Axis	Y - Axis	Type code	ID number	Ly	Lz	R	T
					[mm]	[mm]	[mm]
AXE60Z	AXE60Z	AX-AC-CCU-60-60	160635	90	90	58	12
AXE80Z	AXE60Z	AX-AC-CCU-80-60	158840	190	180	47	11
	AXE100Z	AX-AC-CCU-80-80	253556	220	220	77	15
AXE110Z	AXE60Z	AX-AC-CCU-110-60	252539	215	120		12
AXE160Z	AXE60Z	AX-AC-CCU-160-60	265455	240	160		15
	AXE110Z	AX-AC-CCU-160-80	169160	220	200		20
AXE160Z	AXE110Z	AX-AC-CCU-110-110	259405	215	120		12
AXE110Z	AXE110Z	AX-AC-CCU-160-110	351593	240	160		15
	AXE160Z	AX-AC-CCU-160-160	264974	240	160		15