

6.1.6. A – Standard connections

A - standard connections are connecting elements for the combination of linear axes from the series AXE_Z with toothed belt drive with linear axes from the series AXE_A with axis with toothed belt / 0 – drive (Figure 6.10). The A – standard connections contain all essential connecting elements including screws

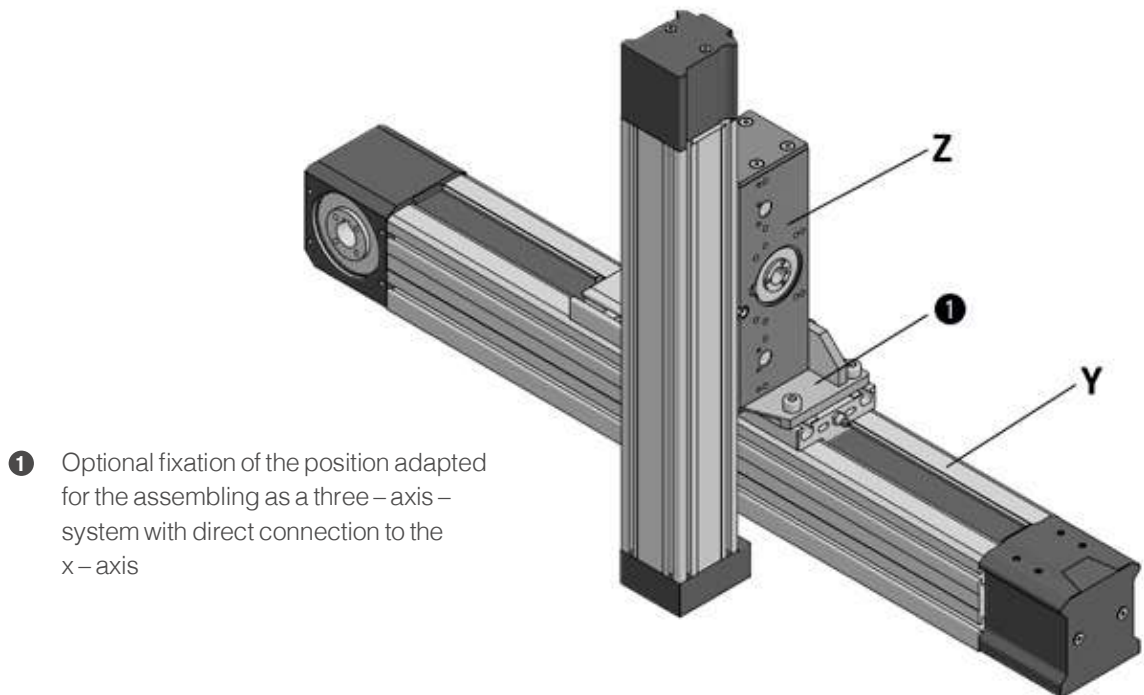


Figure 6.10 A – Standard connections AXE

The type codes and dimensions including ID numbers of the A - standard connections are specified in Figure 6.11 and Table 6.6.

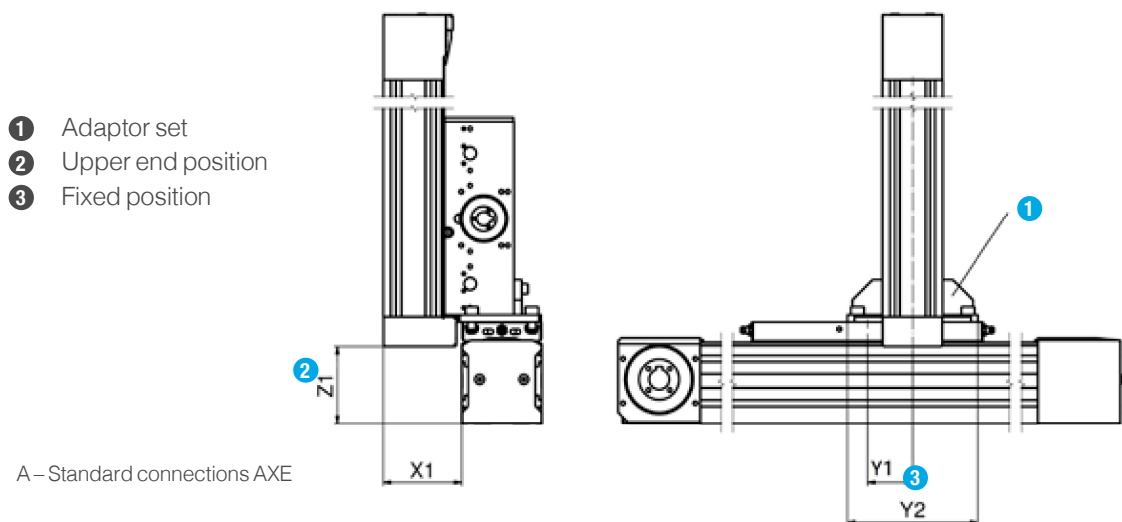


Figure 6.11 A – Standard connections AXE

Table 6.6 A – Standard connections AXE

Y - Axis	Z - Axis	Type code	ID - Number	X1	Y1	Y2	Z1
				[mm]	[mm]	[mm]	[mm]
AXE60Z	AXE40A	AX-AC-SCU-60-40	299881	61	0	120	60
AXE80Z	AXE60A	AX-AC-SCU-80-60	156300	78	45	130	64
AXE110Z	AXE40A	AX-AC-SCU-110-40	327403	61	0	132	43
	AXE60A	AX-AC-SCU-110-60	268606	90	0/18	130	29
AXE160Z	AXE60A	AX-AC-SCU-160-60	458059	75	0	150	51