

### 6.1.3. Direct connections

Direct connections (Figure 6.5) are connecting sets containing all essential connecting elements such as adapter plates, fastening strips, screws...

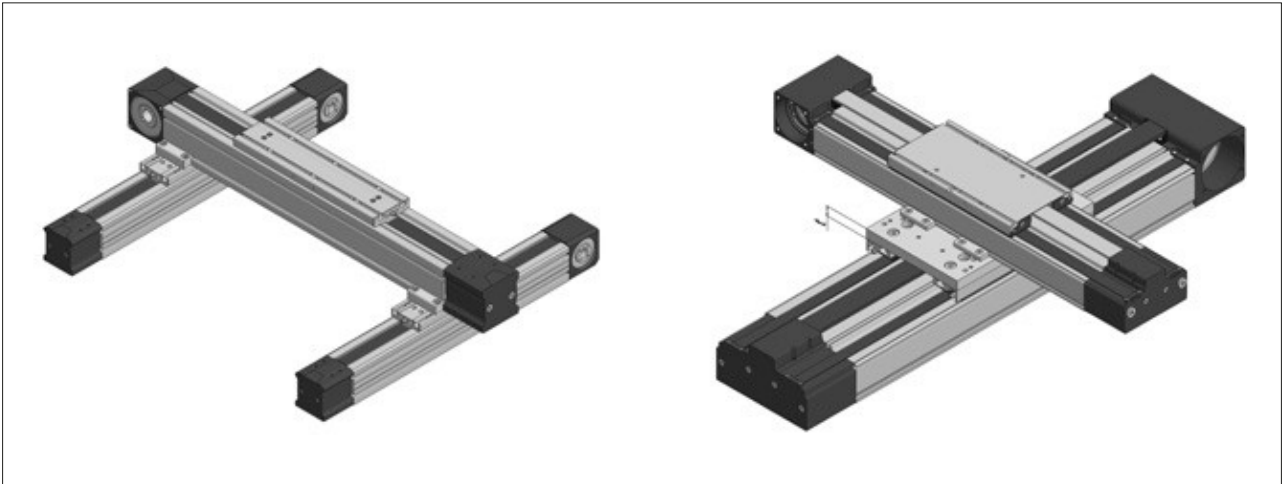


Figure 6.5 Direct connections AXE

The type codes and ID numbers of direct connections are specified in Table 6.3

Table 6.3 Direct connections AXE

		Y - Axis				
		AXE60Z	AXE80Z	AXE100Z	AXE110Z	AXE160Z
X - Axis	AXE60Z	2x AX-AC-DCU-60-60 (ID 230147)			AX-AC-DCU-60-110-E <sup>3</sup> (ID 459273)	
	AXE80Z			AX-AC-DCU-80-120 (ID 207896)		AX-AC-DCU-80-160 (ID 167332)
	AXE100Z			AX-AC-DCU-80-120 (ID 207896)		AX-AC-DCU-80-160 (ID 167332)
	AXE110Z	AX-AC-DCU-110-60 <sup>1</sup> (ID 281274)			AX-AC-DCU-110-110 (ID 207936)	
	AXE160Z <sup>2</sup>	AX-AC-DCU-160-60 (ID 382288)	AX-AC-DCU-160-80 (ID 288848)		AX-AC-DCU-160-110 (ID 357642)	AX-AC-DCU-160-160 (ID 308879)

<sup>1</sup>- Distance plate  $t = 12 \text{ mm}$

<sup>2</sup>- Distance plate  $t = 15 \text{ mm}$

<sup>3</sup>- Distance plate  $t = 6 \text{ mm}$