

## 6.2 Drive options

### 6.2.1. Plug-in shafts

Plug-in shafts are a common variant of the form-fitting drive adaption (Figure 6.16) available for linear axes from the AXE series. The dimensions are specified in Figure 6.17 and Table 6.11. For applications with higher dynamics, we recommend force and form-fitting drive adaptations with integrated couplings as described in chapter 6.2.2 or 6.2.4.

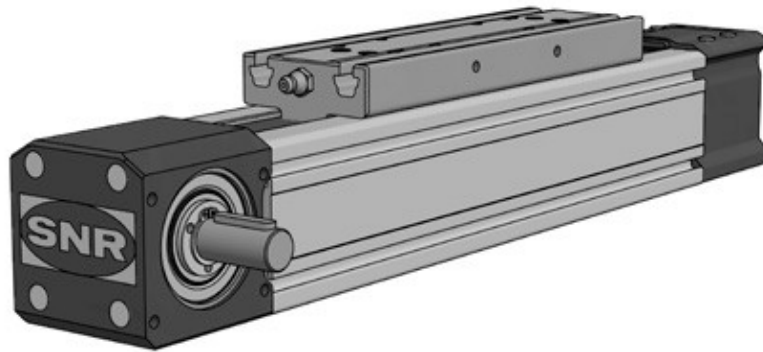


Figure 6.16 Plug-in shaft

The dimensions of the plug-in shafts are specified in Figure 6.17 and Table 6.11.

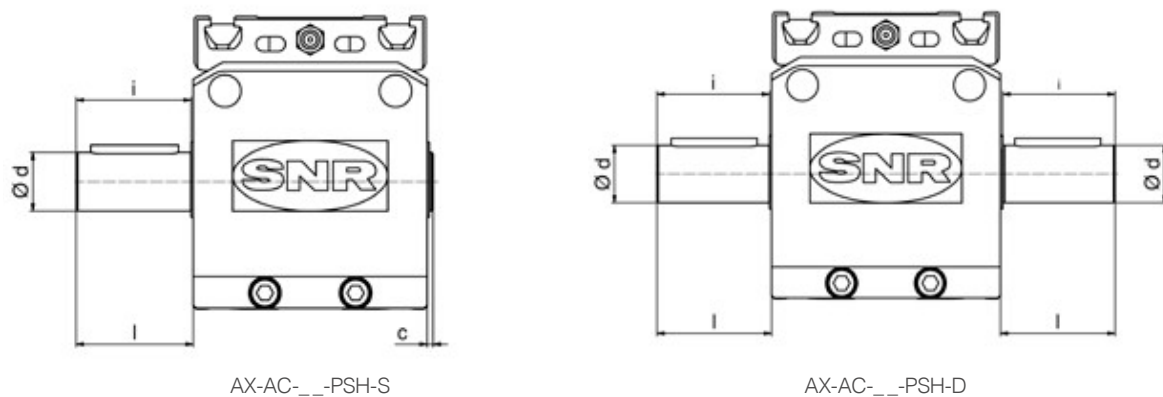


Figure 6.17 Dimensions and mounting dimensions of plug-in shafts

Table 6.11 Dimensions of plug-in shafts

Type	Type code	ID number	c	d h6	i	l
			[mm]	[mm]	[mm]	[mm]
AXE40A	AX-AC-40ZA-PSH-S	156270	1	10	29.5	30
AXE60Z AXE60A	AX-AC-60ZA-PSH-S	187407	1	14	30.0	30
AXE80Z	AX-AC-80ZA-PSH-S	152373	2	20	39.3	40
AXE100Z	AX-AC-100Z-PSH-S	409634		25	53.5	50
AXE110Z	AX-AC-110Z-PSH-S	308746		16	55.5	30
AXE160Z	AX-AC-160Z-PSH-S	206005		25	92.3	50
AXE40A	AX-AC-40ZA-PSH-D	449876		10	29.5	30
AXE60Z AXE60A	AX-AC-60ZA-PSH-D	189202		14	30.0	30
AXE80Z	AX-AC-80ZA-PSH-D	153960		20	39.3	40
AXE100Z	AX-AC-100Z-PSH-D	409633		25	53.5	50