

6.1.6 Gantry connection

Gantry connections (Figure 6.14) are connecting elements for the mounting of X – Y -axis systems in where the Y – axis will be assembled in 90° position.

Gantry connections contain all the essential connecting elements including screws.

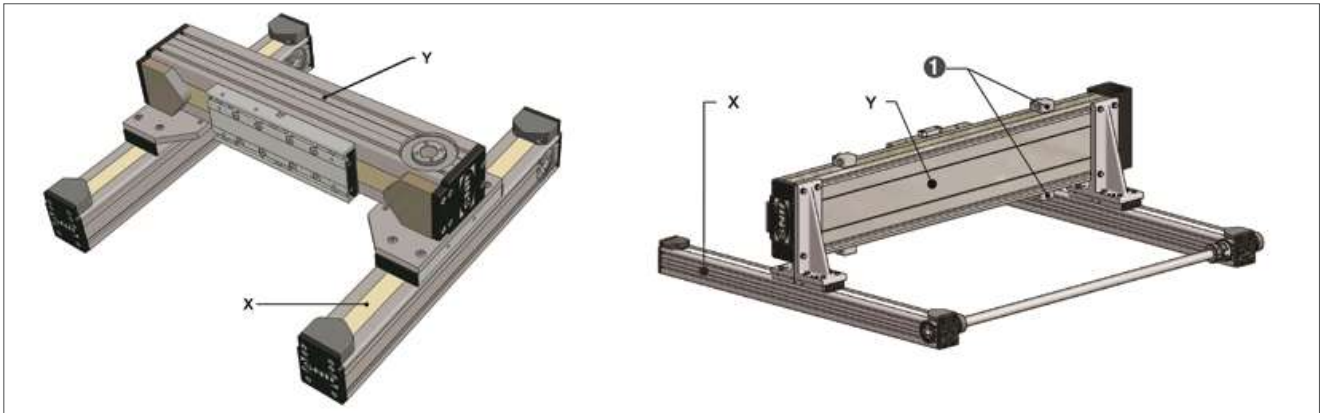


Figure 6.14 — Gantry connection AXC / AXC and AXC / AXDL

① Switches available on both sides

The type codes and dimensions including ID number of the gantry connections are shown in Figure 6.15 and Table 6.9.

Figure 6.15 — Gantry connection AXC - AXC

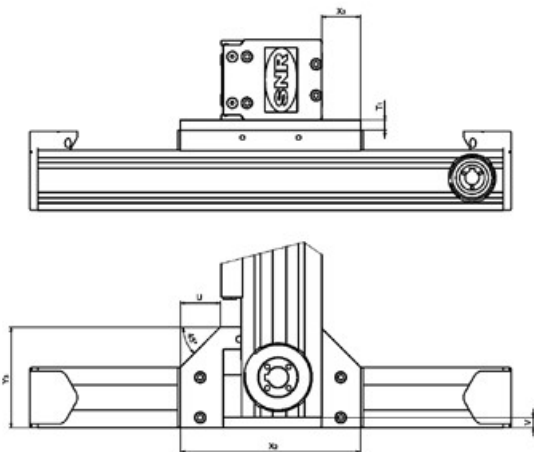


Figure 6.16 — Gantry connection AXC - AXDL

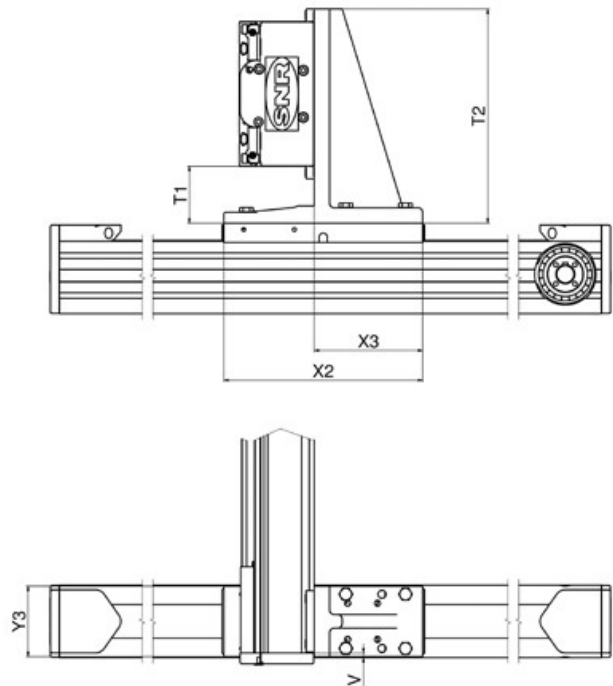


Table 6.9 — Gantry connection AXC / AXDL

X - Axis	Y - Axis	Type code	ID number	T1 [mm]	T2 [mm]	U [mm]	V [mm]	X2 [mm]	X3 [mm]	Y3 [mm]
AXC40	AXC60	AX-AC-GCU-40-60	305211	8		10	11,0	98	19,0	59,0
AXC60	AXC60	AX-AC-GCU-60-60	190012	12		16	15,5	130	30,0	74,5
	AXC80Z	AX-AC-GCU-60-80	160364	10		40	10,0	180	39,0	100,0
	AXC80S/T/A						22,0			
	AXDL110	AX-AC-GCU-60-110	230361	49	174		5,5	160	90,0	58,0
	AXDL160	AX-AC-GCU-60-160	265454	63	237		5,0	220	120,0	78,0
AXC80	AXC80Z	AX-AC-GCU-80-80	146277	146277			0,0	155	19,0 ¹	80,0
	AXC80S/T/A						10,0			
	AXC120Z	AX-AC-GCU-80-120	173183	15		6	20,0 / 10,0	194	16,0 ¹	140,0
	AXC120S/T/A						20,0 / 25,0			
	AXDL160	AX-AC-GCU-80-160	169154	63	237		5,0	220	120,0	78,0
	AXDL240	AX-AC-GCU-80-240	253949	49	287		11,0	220	120,0	100,0
AXC100_B	AXDL240	AX-AC-GCU-120-240	172106	49	287		11,0	220	137,0	100,0
AXC100_C	AXDL240								132,0	
AXC100_C ²	AXS200M_1 ³ AXS200Y_1 ³	integrated in the Y-axis		25			52,5	457	79,5 ¹	99,0
		AXS280M_1 ³ AXS280Y_1 ³	integrated in the Y-axis						75,0 ¹	
AXC120_B/C/L	AXDL240	AX-AC-GCU-120-240	172106	49	287		11,0	220	120,0 ¹	100,0
	AXS280	AX-AC-GCU-120-280	164317	30			-40,0	170	30,0 ¹	200,0
AXC120Z_C ²	AXS280M_2 ³ AXS280Y_2 ³	integrated in the Y-axis		30			62,5	525	72,5 ¹	118,0
AXS120M_B ²	AXS280M_3 ³ AXS280Y_3 ³	integrated in the Y-axis		30			62,5	525	112,5	118,0
AXS120M_C ²	AXS460M_4 ³	integrated in the Y-axis								

¹- Fixation of the position on the X – axis by cylindrical pin
²- in the type code position 9 : G resp. H for configuration version with tolerance compensation element
³- in the type code position 9: code number 1...3 for integrated gantry connection