

## 6.1.5 Cross connection

Cross connections (Figure 6.11) are connecting elements for the mounting of 2-axis systems in which the tabletops of the respective axis are assembled together. The cross connections include all necessary connecting elements inclusive the screws.

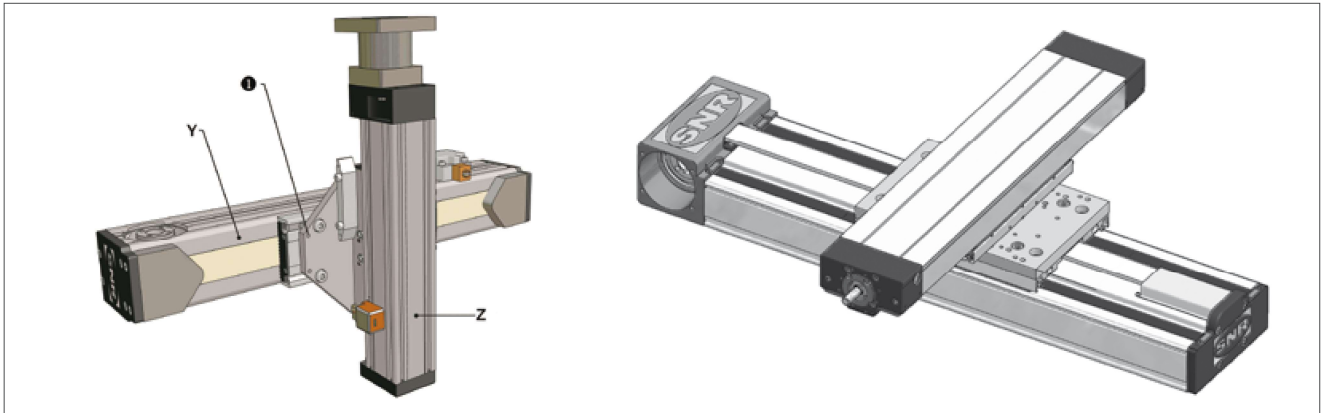
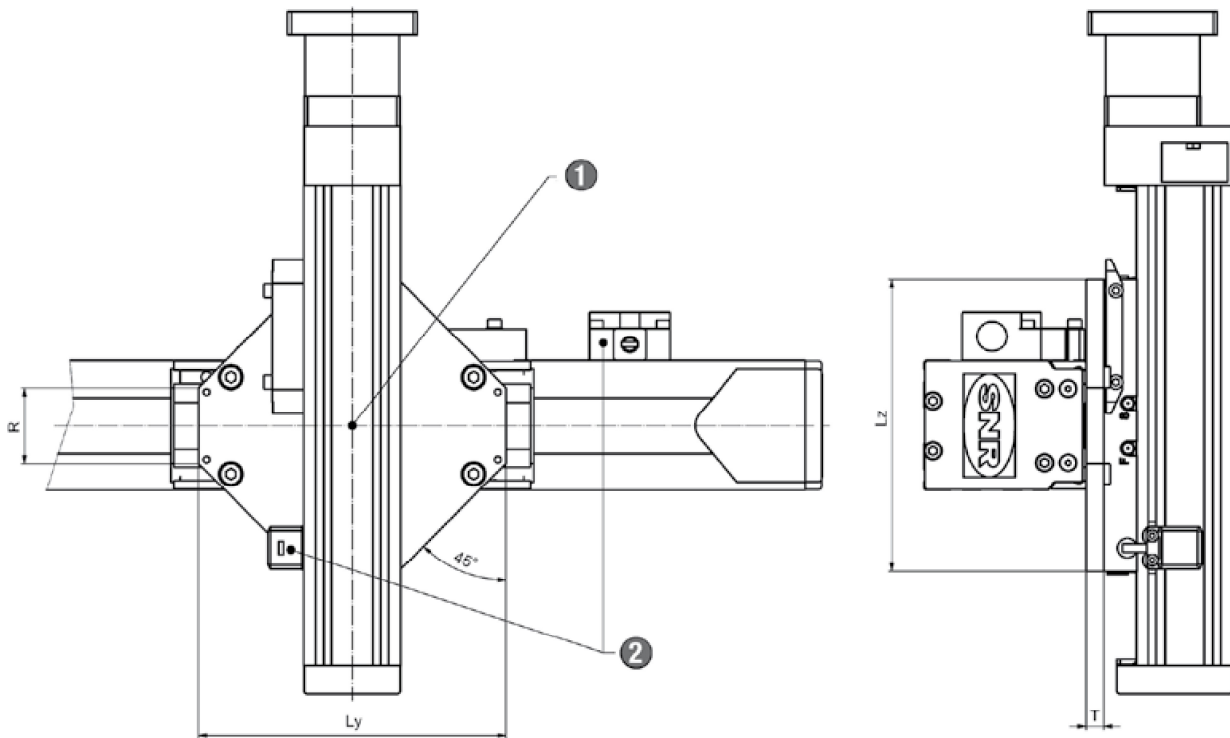


Figure 6.11 — Cross connection AXC / AXC and AXC / AXDL

① Alignment by cylindrical pin or Mounting edge

The type codes and dimensions including ID number of the cross connections are shown in Figure 6.12 and Table 6.7.



- ① Centerline of the Axis = middle slider plate
- ② Note the installation side of the switches for the Y-axis with Typ AXC60

Figure 6.12 — AX – Cross connection

Table 6.7 — Cross connection AXC / AXDL

Y - Axis	Z - Axis	Type code	ID number	L <sub>y</sub>	L <sub>z</sub> [mm]	R [mm]	T [mm]
AXC60	AXC40	AX-AC-CCU-60-40	382276	90	90	58	10
AXC60	AXC60	AX-AC-CCU-60-60	160635	90	90	58	12
AXC80	AXC60	AX-AC-CCU-80-60	158840	190	180	47	11
AXC80	AXC80	AX-AC-CCU-80-80	253556	220	220	77	15
AXC100	AXC80	AX-AC-CCU-120-80	187419	280	220	116	20
AXC120	AXC80	AX-AC-CCU-120-80	187419	280	220	116	20
AXC120	AXC120	AX-AC-CCU-120-120	311633	280	280	116	20
AXDL110	AXC40	AX-AC-CCU-110-40	382278	215	120		12
AXDL110	AXC60	AX-AC-CCU-110-60	252539	150	120		12
AXDL160	AXC60	AX-AC-CCU-160-60	265455	240	160		15
AXDL160	AXC80	AX-AC-CCU-160-80	169160	220	200		20
AXDL240	AXC80	AX-AC-CCU-240-80	382279	330	240		20
AXDL240	AXC100	AX-AC-CCU-240-100	382280	330	325		20
AXDL240	AXC120	AX-AC-CCU-240-120	172533	330	325		20
AXDL110	AXDL110	AX-AC-CCU-110-110	259405	150	120		12
AXDL160	AXDL110	AX-AC-CCU-160-110	351593	240	160		15
AXDL160	AXDL160Z/S	AX-AC-CCU-160-160	264974	240	160		15
AXDL240	AXDL160Z/S	AX-AC-CCU-240-160	329494	330	240		20
AXDL240	AXDL240Z/S	AX-AC-CCU-240-240	163391	330	240		20

In the cross tables of the AXLT series with the arrangement tabletop to tabletop either linear tables of the same size or the next smaller size can be mounted (Figure 6.13). A distance plate is not necessary beginning with size AXLT325.

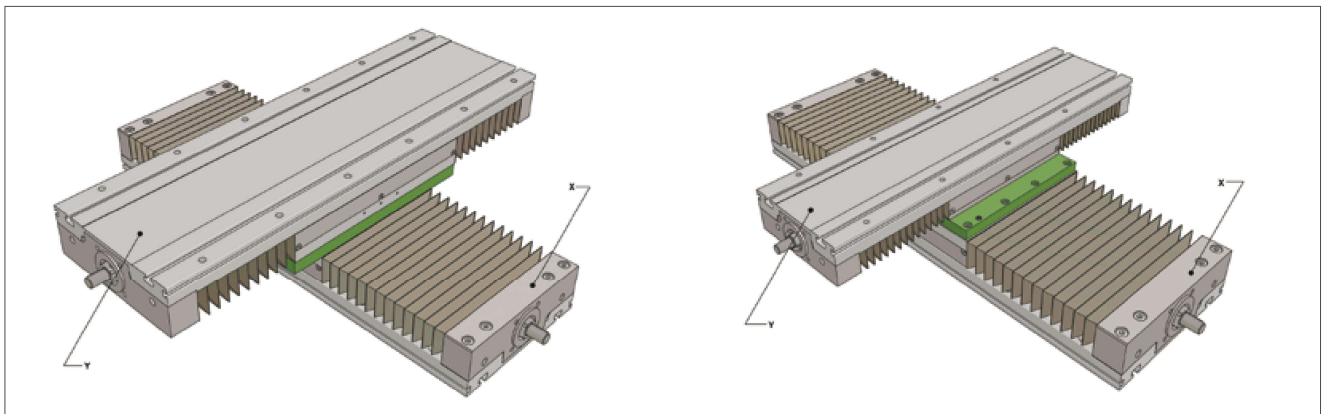


Figure 6.13 — Cross connection AXLT

The type codes and including ID number of the cross-connections are shown in Table 6.8.

Table 6.8 — Direct connection AXLT

		Y - Axis			
		AXLT155 (Guiding system E)	AXLT225 (Guiding system E)	AXLT325 (Guiding system E)	AXLT455
X - Axis	AXLT155	AX-AC-CCU-155-155 (ID 186015)			
	AXLT225	AX-AC-CCU-225-155 (ID 262080)	AX-AC-CCU-225-225 (ID 382281)		
	AXLT325		AX-AC-CCU-325-225 (ID 262991)	AX-AC-CCU-325-325 (ID 382282)	
	AXLT455			AX-AC-CCU-455-325 (ID 382284)	AX-AC-CCU-455-455 (ID 382285)