

6.1.3 Hammer screws

Hammer screws (Figure 6.7) and hammer nuts are used for mounting the Linear Axis of the AXF series. For this purpose the closed profile grooves must be opened at positions defined by the user.



Figure 6.7 — Linear Axis AXF with hammer screws

Hammer screws and hammer nuts are available in different sizes and lengths. The dimensions and the type code, including the ID number of the hammer screws and hammer nuts are shown in Figure 6.8 and Table 6.4.

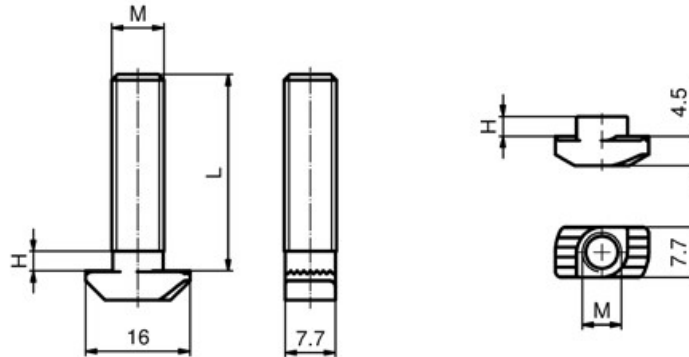


Figure 6.8 — Dimensions hammer screws and hammer nuts AXF

Table 6.4 — Hammer screws and hammer nuts AXF

Type	Designation	ID number	Design type	H [mm]	L [mm]	M	Material
AXF100	AX-AC-HNU-8M6	396378	R	3,0		M6	galvanized steel
	AX-AC-HSC-8M8x30	328149	R	3,0	30	M8	
	AX-AC-HSC-8M8x40	372088	R	3,0	40	M8	