

6.1.4 Direct connection

Direct connections (Figures 6.9 and 6.10) are connecting sets which contain all the essential connecting elements such as adapter plates, fastening strips, screws.

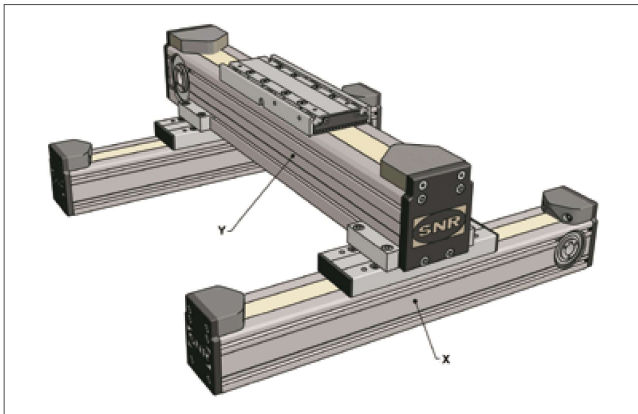


Figure 6.9 — Direct connection AXC / AXC

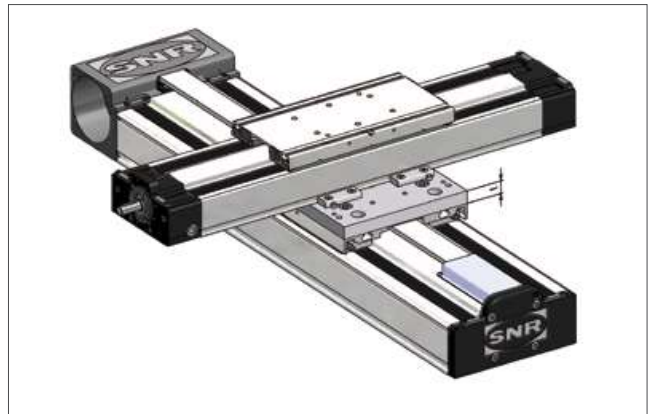


Figure 6.10 — Direct connection AXDL / AXDL

The type codes and ID number of direct connections are shown in Table 6.5.

Table 6.5 — Direct connection AXC / AXDL

	Y - Axis								
	AXC40	AXC60	AXC80	AXC100Z_B AXC100Z_C AXC100Z_L	AXC100_D	AXC120	AXDL110	AXDL160	AXDL240
AXC40	AX-AC-DCU-40-40 (ID 250762)	AX-AC-DCU-40-60 (ID 382286)							
AXC60		2x AX-AC-DCU-60-60 (ID 230147)				AX-AC-DCU-60-120 (ID 382283)	AX-AC-DCU-60-110-1 (ID 677674) or AX-AC-DCU-60-110-E ⁴ (ID 459273)		
AXC80				AX-AC-DCU-80-120 (ID 207896)	AX-AC-DCU-80-160 (ID 167332)	AX-AC-DCU-80-120 (ID 207896)		AX-AC-DCU-80-160 (ID 167332)	AX-AC-DCU-80-120 ⁵ (ID 207896)
AXC100 AXF100						AX-AC-DCU-120-120 (ID 170469)			AX-AC-DCU-120-120 (ID 170469)
AXC120				AX-AC-DCU-120-120 (ID 170469)		AX-AC-DCU-120-120 (ID 170469)			
MB profile raster 40		AX-AC-DCU-60-60 (ID 230147) + 2x AX-AC-FST-80-22-2 (ID 104481) + 4x M8x25 DIN912 (ID 113509) + 4x AX-AC-SBL-8ST-M6-E (ID 108963)		2x AX-AC-FST-80-22-2 (ID 104481) + 4x M8x25 DIN912 (ID 113509) + 4x AX-AC-SBL-8ST-M6-E (ID 108963) or 2x AX-AC-FST-120-22-3 (ID 111181) + 6x M8x25 DIN912 (ID 113509) + 6x AX-AC-SBL-8ST-M6-E (ID 108963)		2x AX-AC-FST-80-22-2 (ID 104481) + 4x M8x25 DIN912 (ID 113509) + 4x AX-AC-SBL-8ST-M8-E (ID 108962) or 2x AX-AC-FST-120-22-3 (ID 111181) + 6x M8x25 DIN912 (ID 113509) + 6x AX-AC-SBL-8ST-M8-E (ID 108962)			2x AX-AC-FST-80-22-2 (ID 104481) or 2x AX-AC-FST-120-22-3 (ID 111181)
MB profile raster 50			AX-AC-DCU-60-80 (ID 205685) + 4x AX-AC-SBL-8ST-M6-E (ID 108963)					2 x AX-AC-FST-68-9-2 (ID 150999)	
AXDL110	AX-AC-DCU-110-40 ¹ (ID 382287)	AX-AC-DCU-110-60 ¹ (ID 281274)					AX-AC-DCU-110-110 (ID 207936)		
AXDL160 ²		AX-AC-DCU-160-60 (ID 382288)	AX-AC-DCU-160-80 (ID 288848)				AX-AC-DCU-160-110 (ID 357642)	AX-AC-DCU-160-160 (ID 308879)	
AXDL240 ³						AX-AC-DCU-240-120 (ID 288945)		AX-AC-DCU-240-160 (ID 248768)	AX-AC-DCU-240-240 (ID 187412)

¹: Distance plate $t = 12 \text{ mm}$

²: Distance plate $t = 15 \text{ mm}$

³: Distance plate $t = 20 \text{ mm}$

⁴: Distance plate $t = 6 \text{ mm}$ with tolerance compensation system

⁵: Only for AXC80 with guiding system C possible

The linear tables of the AXLT series are designed so that they can be combined in the simplest way to cross tables (Figure 6.10). Depending on the size, an adapter is not necessary.

In cross tables with the arrangement base plate on tabletop either linear tables of the same size or the next smaller size can be mounted on the tabletop. An adapter plate is not necessary in both cases.

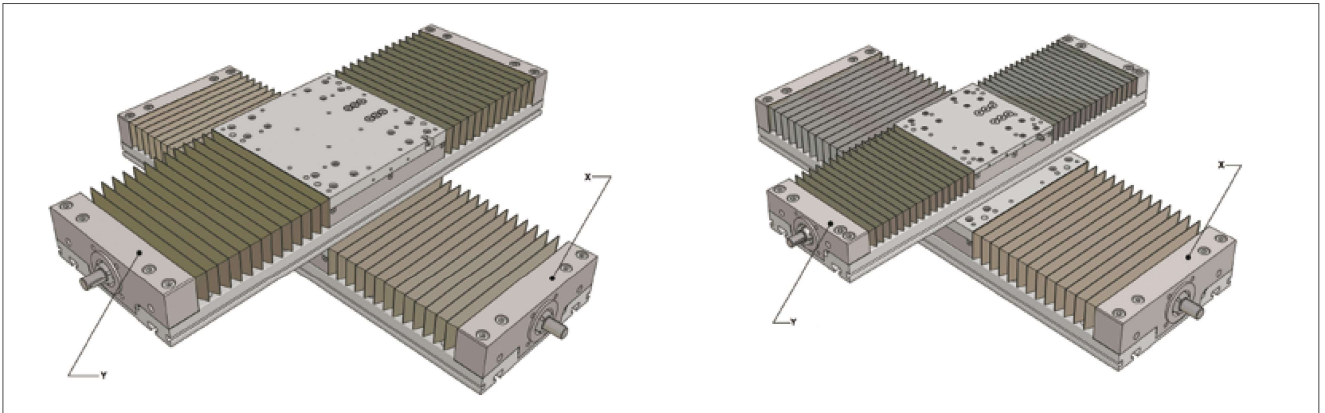


Figure 6.10 — Direct connection AXLT

The type codes and ID number of direct connections are shown in Table 6.6.

Table 6.6 — Direct connection AXLT

		Y - Axis			
		AXLT155	AXLT225	AXLT325	AXLT455
X - Axis	AXLT155	AX-AC-DCU-155-155 (ID 261642)			
	AXLT225	AX-AC-DCU-225-155 (ID 352103)	AX-AC-DCU-225-225 (ID 315714)		
	AXLT325		AX-AC-DCU-325-225 (ID 382274)	AX-AC-DCU-325-325 (ID 290188)	
	AXLT455			AX-AC-DCU-455-325 (ID 245182)	AX-AC-DCU-455-455 (ID 382275)