



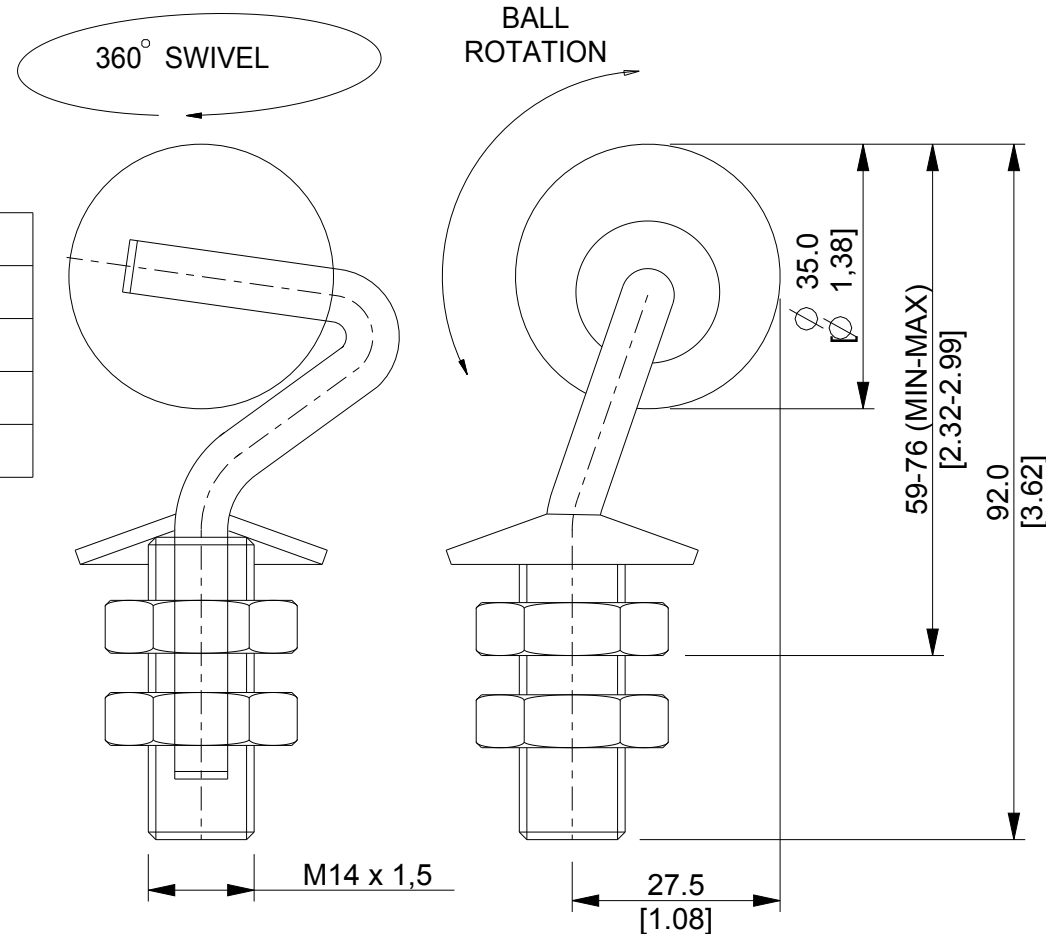
OMNI-DIRECTIONAL SOLUTIONS SINCE 1909

**OF35-55 OMNIFLOAT
GLASS HANDLING
BALL CASTOR UNIT**
REVISION # 01

Available Material Options		
Part #	Ball Material	Load Capacity
OF35-55R	Rubber Black 70 Shore 'A'	18 Kg / 39,7 Lbs
OF35-55P	Polyurethane Caramel 90 Shore 'A'	18 Kg / 39,7 Lbs
OF35-55HT	High Temperature Red - 80 Shore 'A'	18 Kg / 39,7 Lbs

ALL OMNIFLOAT UNITS HAVE EITHER A 'LEFT HAND' OR 'RIGHT HAND' BIAS - WE TYPICALLY RECOMMEND A 50:50 MIX OF BOTH TO PROVIDE A NEUTRAL CONVEYING PLANE

Replacement Balls Available	
Part #	Ball Material
S35R	Rubber Black 70 Shore 'A'
S35P	Polyurethane Caramel 90 Shore 'A'
S35HT	High Temperature Red - 80 Shore 'A'



ALL DIMENSIONS IN mm [inch]
IF VIEWED AS PDF, DO NOT SCALE
IF VIEWED AS DWG, SCALE 1:1
TOLERANCE ± 0,25
QMF 31 ISSUE 01 : 22/06/2012

OMNITRACK
RODBOROUGH COURT
STROUD, GL5 3LR, ENGLAND

Telephone: +44 (0)1453 873 345
Fax: +44 (0)1453 878 500
info@omnitrack.com
www.omnitrack.com

THIS DOCUMENT CONTAINS OMNITRACK PROPERTY AND CONFIDENTIAL INFORMATION. IT IS LOANED FOR LIMITED PURPOSES ONLY AND REMAINS THE PROPERTY OF OMNITRACK. IT MAY NOT BE REPRODUCED IN WHOLE OR PART OR DISCLOSED TO THIRD PARTIES WITHOUT THE PRIOR WRITTEN CONSENT OF OMNITRACK. THE DOCUMENT IS TO BE RETURNED TO OMNITRACK UPON REQUEST AND IN ALL EVENTS UPON COMPLETION OF THE USE FOR WHICH IT WAS LOANED