



OMNI-DIRECTIONAL SOLUTIONS SINCE 1909

OW48-H OMNIWHEEL
CONVEYOR MODULE
ROLLER WHEEL

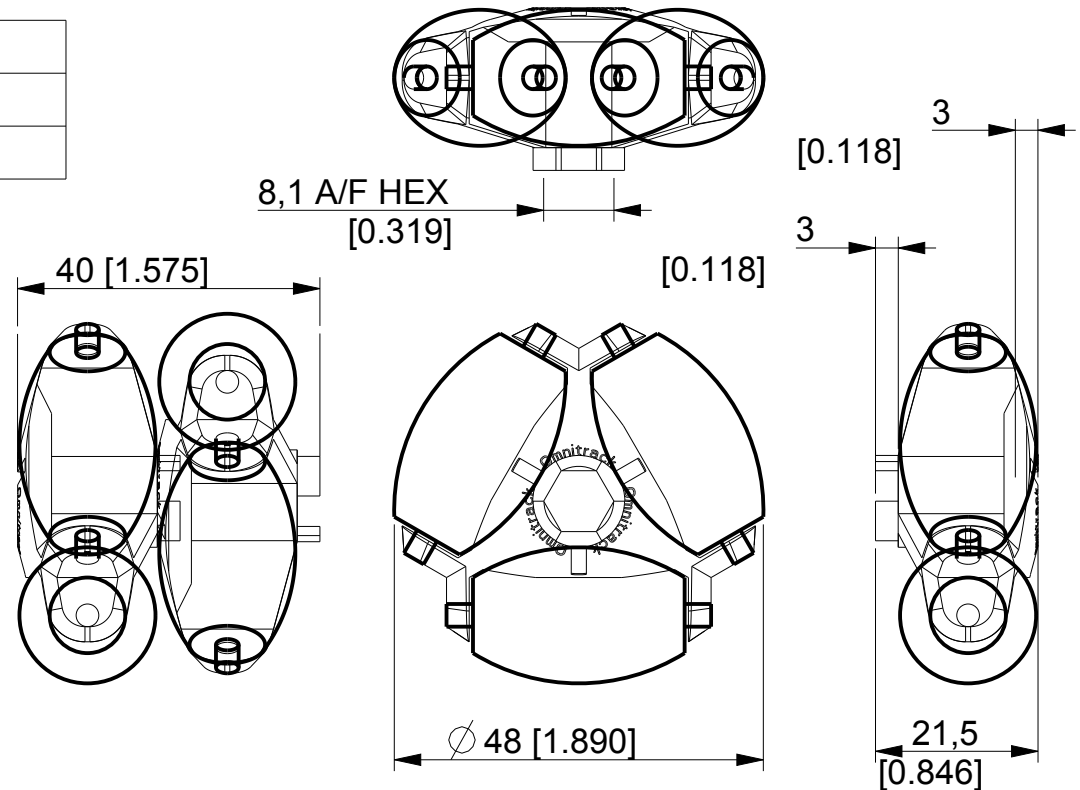
REVISION # 01

Available Material Options

Part #	Roller Material	Load Capacity
OW48-H	Polyamide	8 Kg / 18 Lbs

LOCK OMNIWHEELS TOGETHER IN SERIES FOR 360° SUPPORT

POLYPROPYLENE SPACER TUBES AVAILABLE PRE-CUT TO REQUIRED LENGTHS - ALTERNATIVE MATERIALS AVAILABLE UPON REQUEST



ALL DIMENSIONS IN mm [inch]
IF VIEWED AS PDF, DO NOT SCALE
IF VIEWED AS DWG, SCALE 1:1
TOLERANCE \pm 0,25
QMF 31 ISSUE 01 : 22/06/2012

OMNITRACK
RODBOROUGH COURT
STROUD, GL5 3LR, ENGLAND

Telephone: +44 (0)1453 873 345
Fax: +44 (0)1453 878 500
[info @ omnitrack.com](mailto:info@omnitrack.com)
www.omnitrack.com

THIS DOCUMENT CONTAINS OMNITRACK PROPERTY AND CONFIDENTIAL INFORMATION. IT IS LOANED FOR LIMITED PURPOSES ONLY AND REMAINS THE PROPERTY OF OMNITRACK. IT MAY NOT BE REPRODUCED IN WHOLE OR PART OR DISCLOSED TO THIRD PARTIES WITHOUT THE PRIOR WRITTEN CONSENT OF OMNITRACK. THE DOCUMENT IS TO BE RETURNED TO OMNITRACK UPON REQUEST AND IN ALL EVENTS UPON COMPLETION OF THE USE FOR WHICH IT WAS LOANED