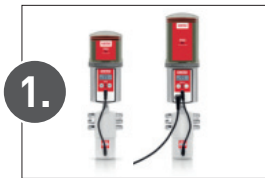


Installation Guide

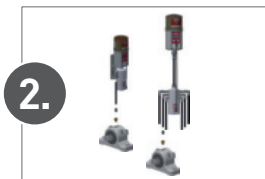
perma PRO / PRO C MP-6





Basic guidelines

3



Mounting types

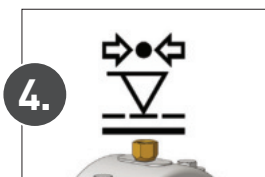
4-6

- Scheme
- Mounting
- Direct vs separate mounting of PRO MP-6 distributor to lubrication system



Preparation of lubrication point

7-8



Pressure testing

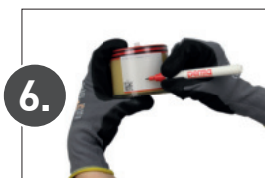
9-10

- Pressure test procedure



Settings and display

11



Identification of lubrication system

11

This installation guide provides instructions for the installation of perma lubrication system and helps in preventing basic mounting errors. The guide should be used with the operating instructions.

Drawings are only examples. There are many other possibilities for mounting, depending on local conditions.

Disclaimers of corresponding operating instructions apply.

Installation guides do not affect validation of the operating instructions.

1. Basic guidelines

The lubrication system perma PRO / PRO C used with the distributor MP-6 requires grease lines.

perma-tec recommends a flexible hose (PA up to 100 °C operating temperature) with an inner diameter of at least 5 mm (Art. No. 101569 Tube up to +100 °C oØ 8 mm x iØ 5 mm). For high mechanical, thermal, or chemical load, the Heavy Duty hose (Art. No. 101555, up to +100 °C, oØ 16 mm / iØ 9.5 mm) or the VA-FLEX tube (Art. No. 113864 50 mm, 101549 1000 mmm, or 101550 1500 mm) can be used.

All accessories and tubes must be able to withstand at least 25 bar counter pressure.

- perma PRO MP-6 / PRO C MP-6 should be installed with the supplied mounting bracket.
- The distribution of one outlet to several lubrication points is not permitted.
- Select a position for perma PRO MP-6 / PRO C MP-6 which is easy and safe to access and which is protected from high-pressure water jets, falling materials, corrosive chemicals, strong vibrations, and extreme temperature.
- Ensure that the lube point is prefilled with the same lubricant used in the lubrication system before installation → see page 8 „Prefill adapter“. (perma-tec offers 400 g cartridges for grease gun on request).
- Secure the hose with suitable mounting material (clamps, cable tie, etc.) to protect it from damage and tearing off.
- For outdoor applications and applications with heavy soiling or splash water, we recommend using protection boxes (protection boxes single or double → see page 5).
- Tube length of each outlet cannot exceed 5 m (please note that actual tube length depends of ambient temperature, type of tube and type of grease used). If perma PRO / PRO C is separated from the distributor MP-6 see page 6 for further information.
- Use medium strength threadlocker LOCTITE 243 for all metal to metal connections (extensions, reducers, angles etc.).
- Make sure that all U-connectors are hand tight. This will ensure sealing against dust and moisture.

2. Mounting types

2.1 Scheme



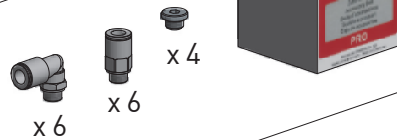
All metal to metal connections must be glued together with Loctite® 243™ (Art. No. 110278).

perma PRO MP-6
perma PRO C MP-6
perma PRO LINE
perma PRO C LINE

Art. No. 101576
Art. No. 101577



Art. No. 107629:
6 x Art. No. 101570
6 x Art. No. 101571
4 x Art. No. 103288



Art. No. 101569

Art. No. 101496

Art. No. 104853
Art. No. 104882

Art. No. 104868

Art. No. 101549
(1000 mm)

Art. No. 101550
(1500 mm)

Art. No. 104868

Art. No. 101502

Art. No. 116624

Art. No. 101555

Art. No. 116624

Art. No. 101512

Art. No. 101515

Art. No. 104858
(14 mm)

Art. No. 104859
(30 mm)

Art. No. 104837
Art. No. 104838
Art. No. 104833
Art. No. 104840

For more connecting parts please see our perma catalog at www.perma-tec.com

A protection box is recommended for use of the system

- in a very dirty environment
- in very moist environments (see operating instructions / pages, 4, 24 and 48)



Protection box PRO single plastic
Art. No. 101548



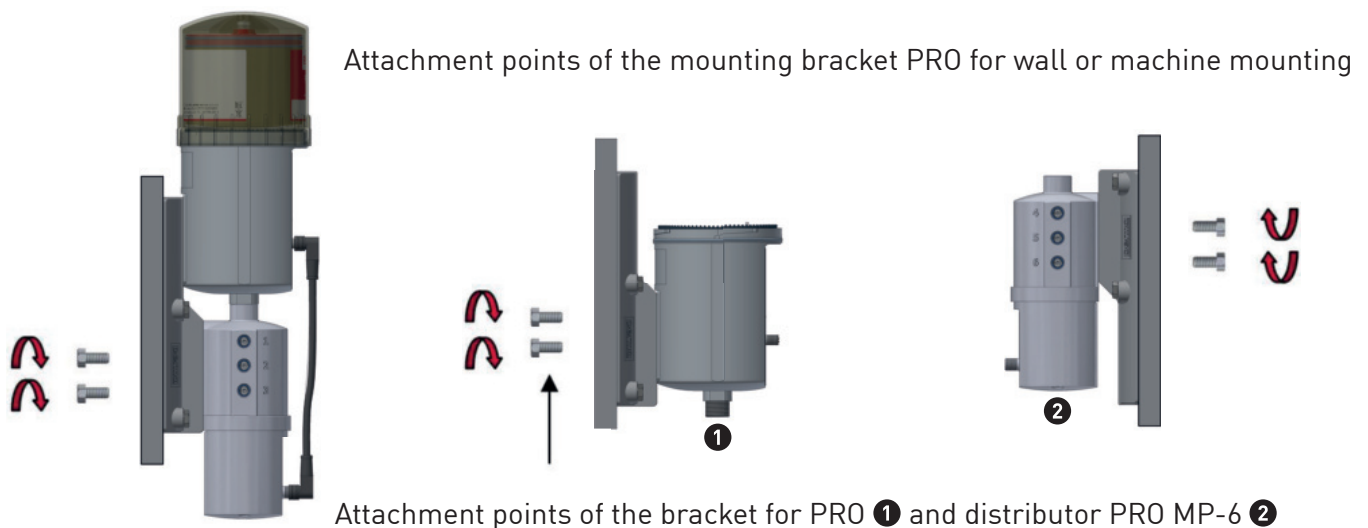
Protection box PRO single steel
Art. No. 101527



Protection box PRO double steel
Art. No. 111153

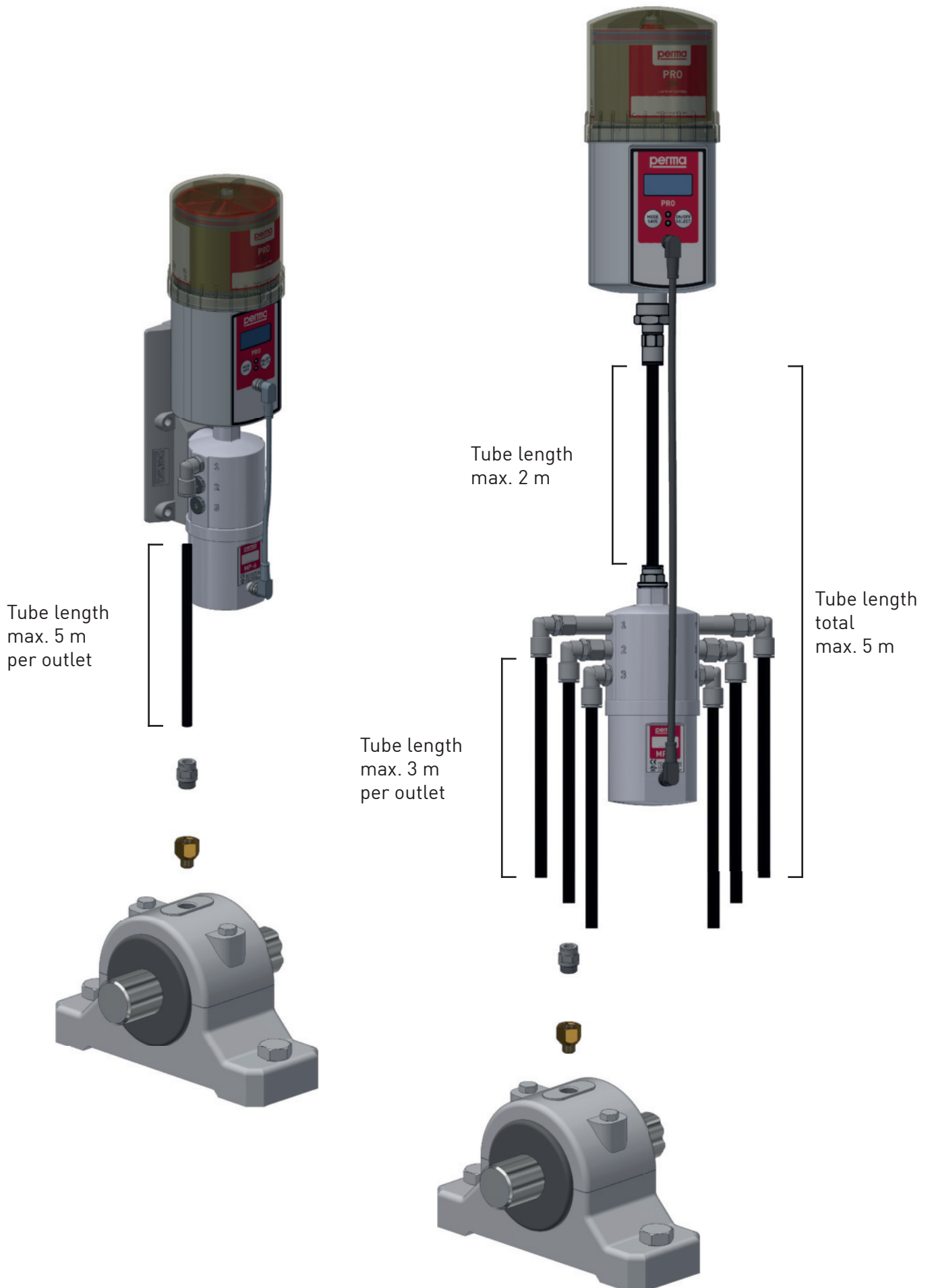
2.2 Mounting

Mounting bracket PRO 101568 can be used to secure a perma PRO MP-6 / PRO C MP-6, perma PRO / PRO C or a perma distributor PRO MP-6. perma PRO should be mounted in vertical position.



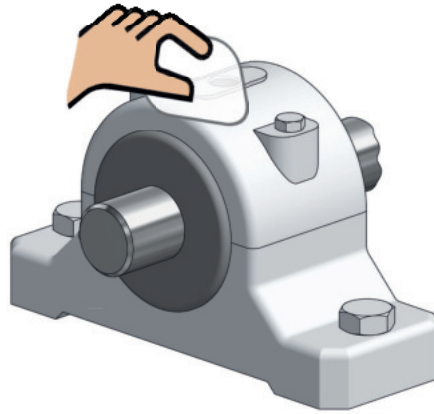
- See operating instructions page 68 for detailed drilling instructions
- A 1:1 drilling template is enclosed on delivery

2.3 Direct vs separate mounting of PRO MP-6 distributor to lubrication system

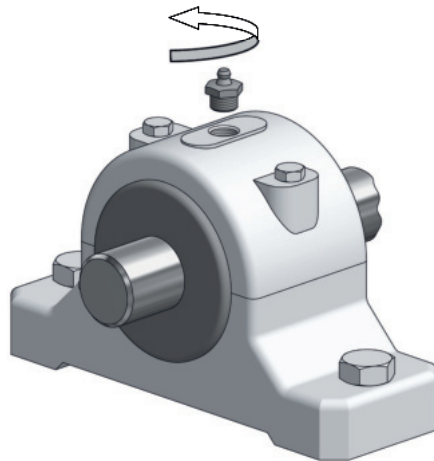


3. Preparation of lubrication point

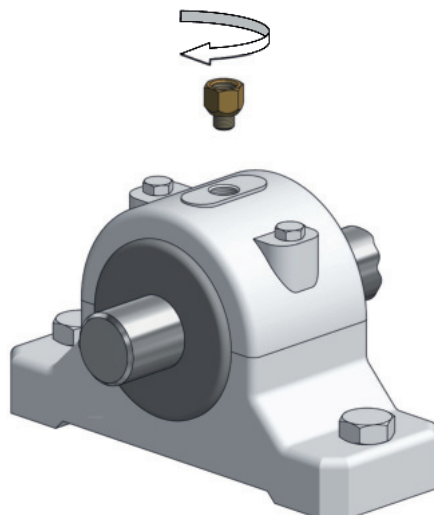
1. Prior to installation, lubrication point must be cleaned to protect against contamination.



2. Remove grease nipple or plug screw of connecting thread and check thread size.

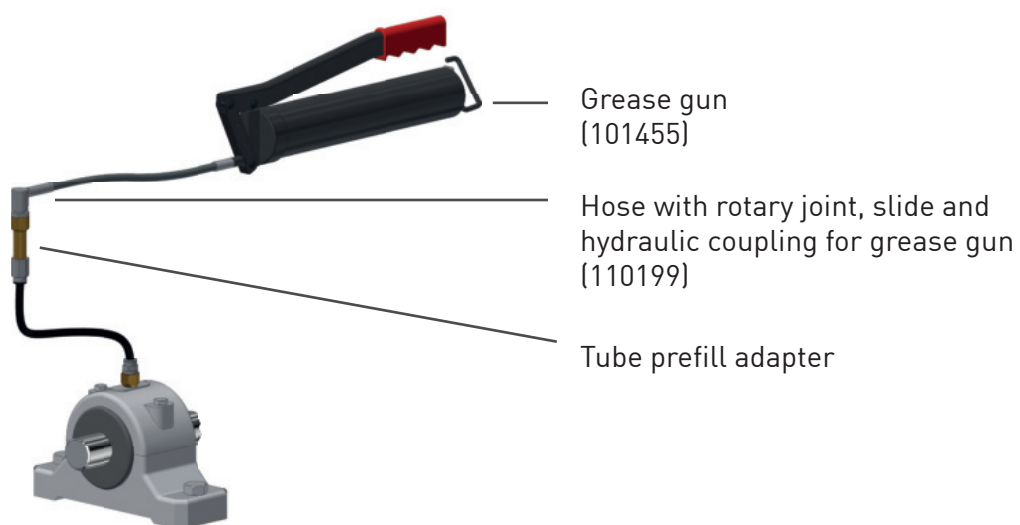


3. Insert reducer and install tube and necessary accessory parts.

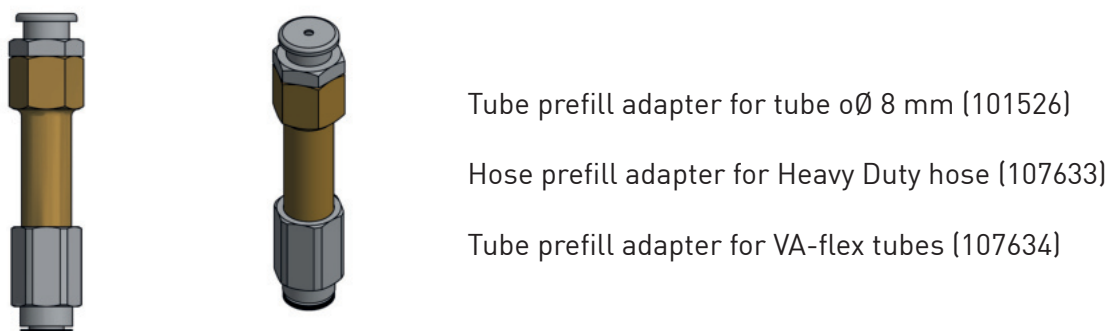


All metal to metal connections must be glued together with Loctite® 243™ (Art. No. 110278).

4. Lubrication point, accessory parts and tubes must be pre-filled with lubricant.
This enables the lubricant to immediately reach the lubrication point.



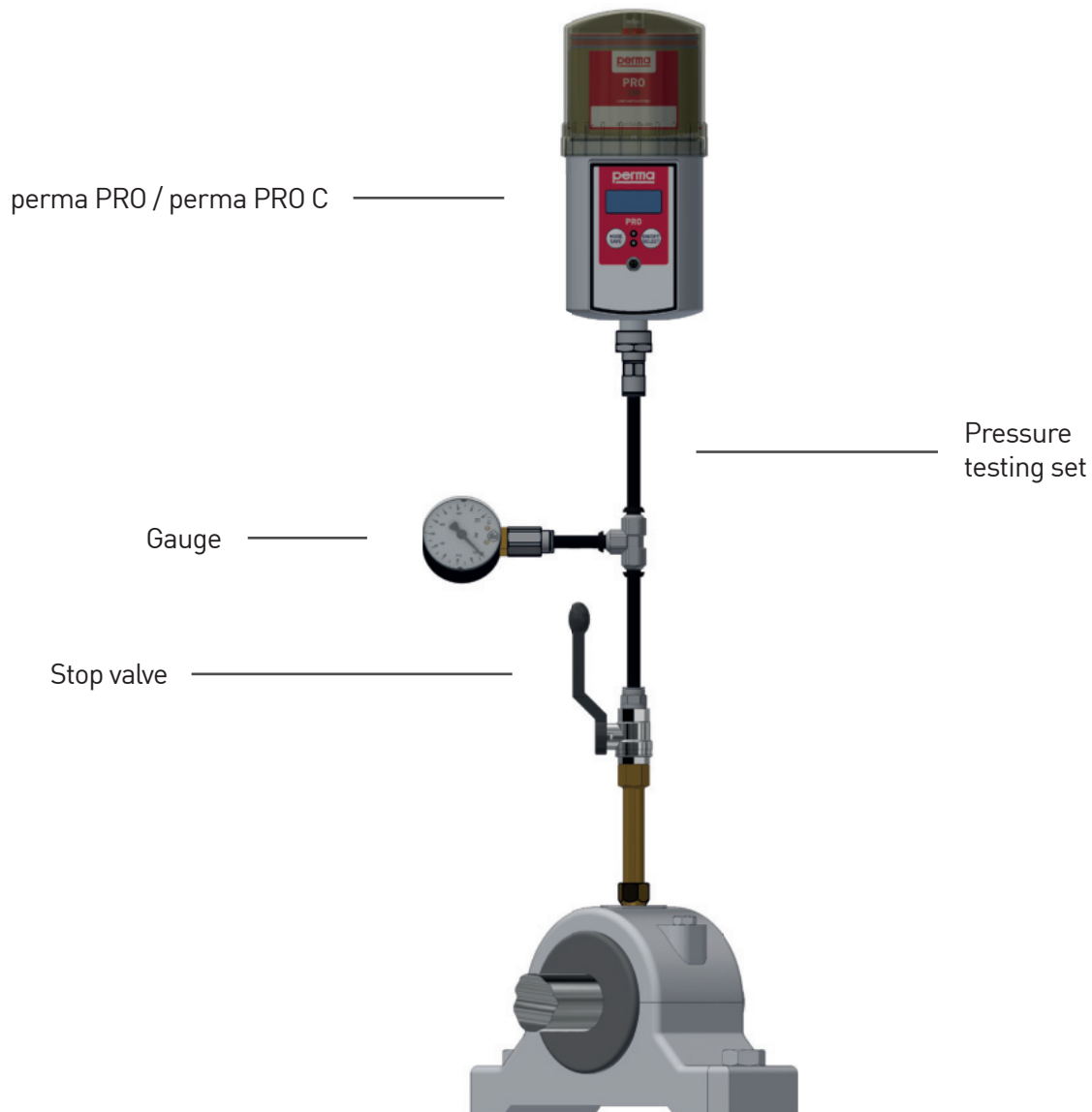
5. Use a tube prefill adapter to prefill lubrication point and grease lines.



4. Pressure testing

Check counter pressure at lubrication point before installing the lubrication system to guarantee correct function.

Please consider the max. pressure load of perma PRO: 25 bar



For pressure testing please use perma PRO / perma PRO C with Accessory Set for pressure test (101480).

Be sure to use the same lubricant for both, prefilling and LC of perma PRO / perma PRO C.



Accessory Set for pressure test (101480)

(order lubrication system separately)

4.1 Pressure test procedure

1. Remove grease nipple.
2. Screw reducer onto lube point and connect pressure testing set.
3. Connect perma PRO / perma PRO C to the open outlet.
4. Turn machines on to ensure that lube point is in use and measuring of corresponding counter pressure is possible (Caution: Observe accident prevention regulations).
5. Open stop valve.
6. To trigger an additional discharge, press both buttons at the same time and hold for at least 4 seconds. After that, the system will automatically perform an additional discharge. In order to trigger a second or third additional discharge, you need to press both buttons again for at least 4 seconds.



For an additional discharge, press both buttons at the same time and hold them down (> 4 sec.)

7. Watch the pressure on the gauge during the additional discharge. If pressure exceeds 25 bar the lubrication system will shut off automatically.
8. If pressure doesn't rise any more during the additional discharge, max injection pressure has been reached. In order to find out the required system pressure you must wait another 5 minutes. The gauge will then show the system pressure.
9. If the injection pressure exceeds 25 bar and doesn't decrease, you need to either select a different lubricant or to „purge“ the lube point with a mechanical grease gun. Please refer to the counter pressure matrix for the typical counter pressure values of different applications.



5. Settings and Display

MODE SAVE	Display	ON/OFF SELECT	Meaning / Description	
	--		Display at delivery with attached PRO LC	
↓ MODE SAVE	Time 06 Months		Shows discharge period PIN-reset	Info
↓ MODE SAVE	PIN 00	Change first digit ↓ ON/OFF SELECT	Enter first digit of current PIN PIN "00" at delivery	PIN Entry
↓ MODE SAVE	PIN 00	Change second digit ↓ ON/OFF SELECT	Enter second digit of current PIN	
↓ MODE SAVE	Config. LC LC 500	Change from LC500 to LC250 ↓ ON/OFF SELECT	Set PRO LC size	LC
↓ MODE SAVE	Config. Time 06 Months	Change Months ↓ ON/OFF SELECT	Set discharge period: Months <u>or</u> Weeks <u>or</u> Days	Time
↓ MODE SAVE	Config. Time 01 Weeks	Change Days or Weeks ↓ ON/OFF SELECT	Set discharge period: Go to "Days" or "Weeks"	
↓ MODE SAVE	Config. Outlets 1	Outlet 1 On / Off ↓ ON/OFF SELECT	Activate outlets: Activate outlet 1 Outlets only displayed if MP-6 is connected	Outlets
	Config. Outlets 1		Outlet 1 activated	
↓ MODE SAVE	Config. Outlets 2	Outlet 2 On / Off ↓ ON/OFF SELECT	Outlet 2 activated (if desired, other outlets may be turned On / Off the same way)	
↓ MODE SAVE ↓ MODE SAVE	Config. PIN 00	Change first digit ↓ ON/OFF SELECT	PIN (first digit) enter for initial configuration or after a PIN-reset – otherwise, setting is complete	PIN
↓ MODE SAVE	Config. PIN 00	Change second digit ↓ ON/OFF SELECT	PIN (second digit) enter for initial configuration or after a PIN-reset	
↓ MODE SAVE	--		Configuration finished	

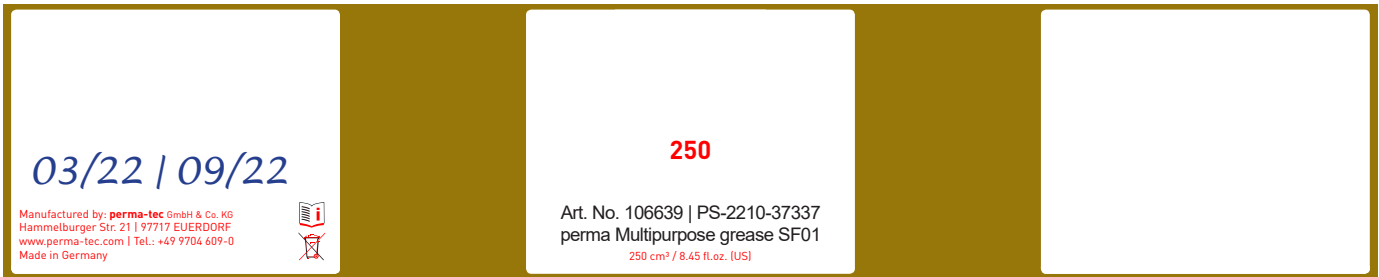
CONFIGURATION MENU INTRO

Legend

Function	short push	long push	blinking display	go to
Symbol	↓	↓	⋮	→

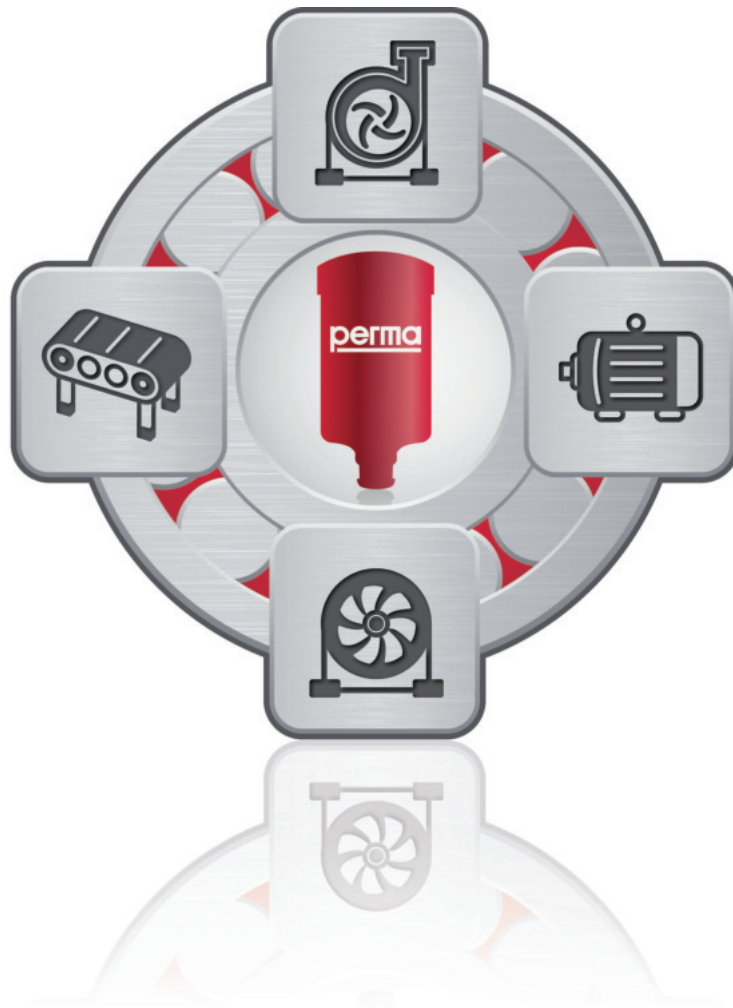
6. Identification of lubrication system

The label of the lubrication system shows product-code, manufacturing date, traceability number, lubricant code and article number.



Installation date and
exchange date
(to be added by operator)

Art. No. | Serial number
(product designation – year / week
of manufacture – internal no.)
Lubricant designation



perma-tec GmbH & Co. KG
Hammelburger Str. 21
97717 Euerdorf
GERMANY

Telefon: +49 9704 609 - 0
info@perma-tec.com
www.perma-tec.com